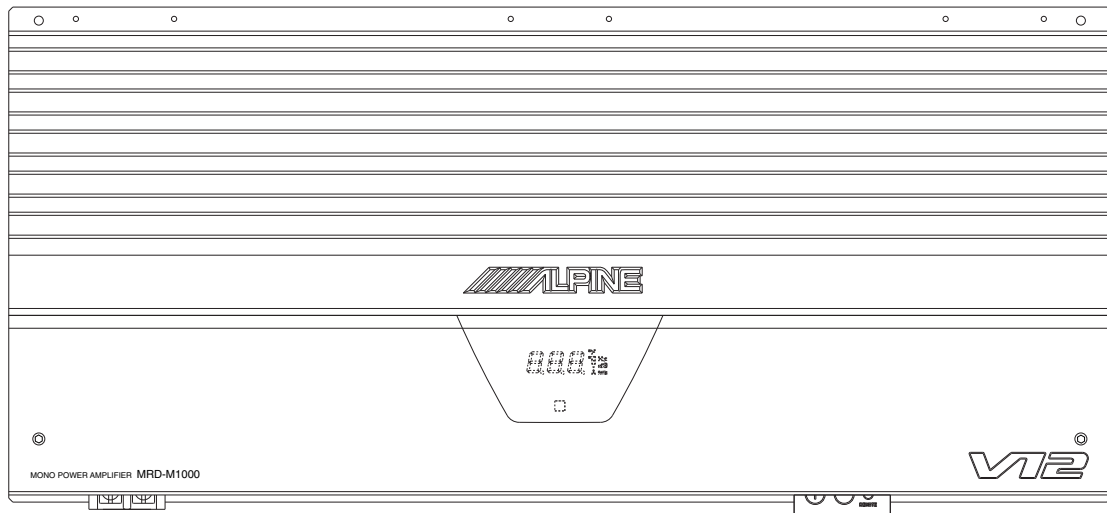


ALPINE

SERVICE MANUAL

MONO POWER AMPLIFIER

Caution : The part marked with \triangle is generating a high Voltage, so care will be necessary when working.



[TO ALPINE Home Page](#)

2/03-A
68E35107S01



MRD-M1000

<Cautions for Safe Repair Work>



The following cautions will prevent accidents in the workplace and will ensure safe products.

*The symbols indicate caution is needed to prevent injuries and damage to property.



The symbols and their meanings follow.

 Warning	If you ignore this symbol and handle the product incorrectly or unsafely, serious injury or death may result.
 Caution	If you ignore this symbol and handle the product incorrectly or unsafely, injury or only material damage may result.



*The following symbols indicate two levels of cautions.



 When you see this symbol, you have to be very careful.	
 When you see this symbol, you have to follow the instructions there.	



Warning

 Do not look squarely into the laser light coming from the pickup. You may lose your sight.	 Fuse Caution Always use a designated fuse. Use of an incorrect fuse may result in a fire.
--	--

Caution

 Do not allow wiring to be caught in the screw/chassis. If wiring is caught in the screw/chassis, it may cause a short circuit, resulting in a fire.	 Battery Caution Use the designated battery. Confirm the correct polarity and seat of the battery. An incorrect battery or an improperly connected or seated battery may result in a fire.
---	---

 High Temperature Caution Touching the heat sink may cause severe burns.	 Designated Parts Caution Look up the part list and ensure that only designated parts are used to prevent problems or accidents.
---	---

 Reverse Power Supply Connections or Misconnections Caution Reverse power supply connections or misconnections may cause ignition problems and smoke may result.	 Wiring Caution Ensure that the wiring is correct when rewiring to prevent problems with ignition/breakdown.
---	---

 Soldering Caution Hot solder from solder splash may cause severe burns.	 Wear Gloves Wear gloves to prevent electrical shocks or injury from the end face of the metal.
---	--

Contents

Packing Assembly Parts List

Packing Method View

Specifications

Block Diagram

Parts Layout on P.W.Boards and Wiring Diagram

Schematic Diagram

Terminal Voltage of IC/TR

Description of IC Terminal

Exploded View (Cabinet)

Cabinet Assembly Parts List

Electrical Parts List

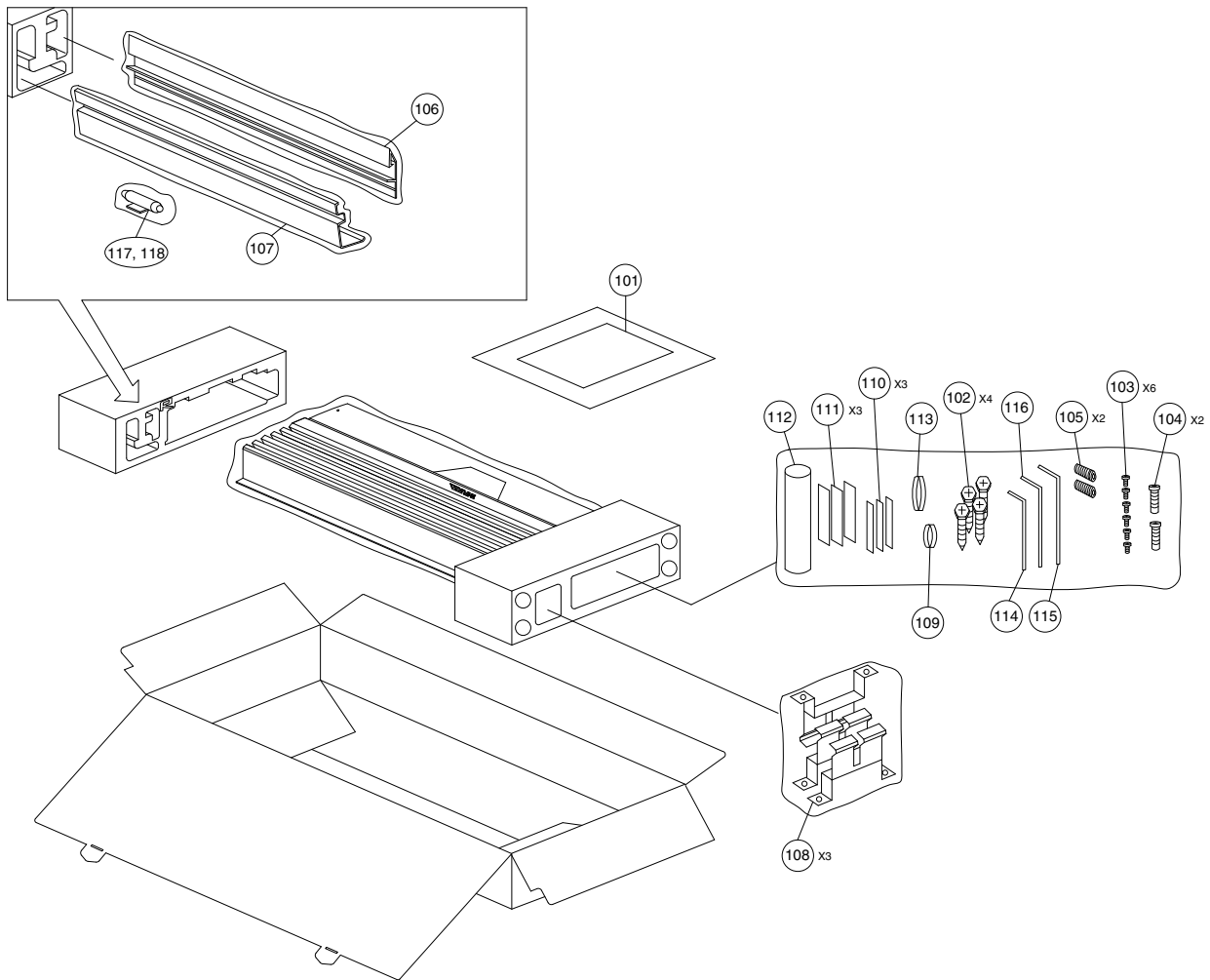
NOTE : Due to continuing product improvement, specifications and designs are subject to change without notice.

Packing Assembly Parts List

Symbol No.	Part No.	Description	Symbol No.	Part No.	Description	
#1	101	68P02294K64	OWNER'S MANUAL	109	28E20925S01	HOUSING RUBBER-A
\$1	101	68P02294K76	OWNER'S MANUAL	110	75E33371S01	CUSHION PAD(A) (35X7)
\$1	101	68P02294K77	OWNER'S MANUAL(I,G,S)	111	75E33372S01	CUSHION PAD(B) (50X10)
	102	03E34961S01	SCR M4X20 TPG1,BLK	112	75E33380S01	HOUSING RUBBER-H
	103	03E32133S01	SCR M3X5(B)MCH(BLK)	113	75E35194S01	HOUSING RUBBER-I
	104	03E33366S01	WRENCH BOLT M3X12(WHT)	114	47E22594S01	WRENCH(6) (2.5mmX2.9mm)
	105	03E29533S01	SCR(6)M5X6(GOLD)	115	47E35195S01	WRENCH(6) (4mmX4.6mm)
	106	15E35192S01	COVER END	116	47E35196S01	WRENCH(6) (3mmX3.5mm)
	107	15E35193S01	COVER TERMINAL	117	65E35197S01	FUSE,80A
	108	07E33370S01	BKT SPRING	118	15E35198S01	FUSE HOLDER,PS-98

Note : #1 : For North American Model Only, \$1 : For General Foreign Model Only, Others : Common.

Packing Method View

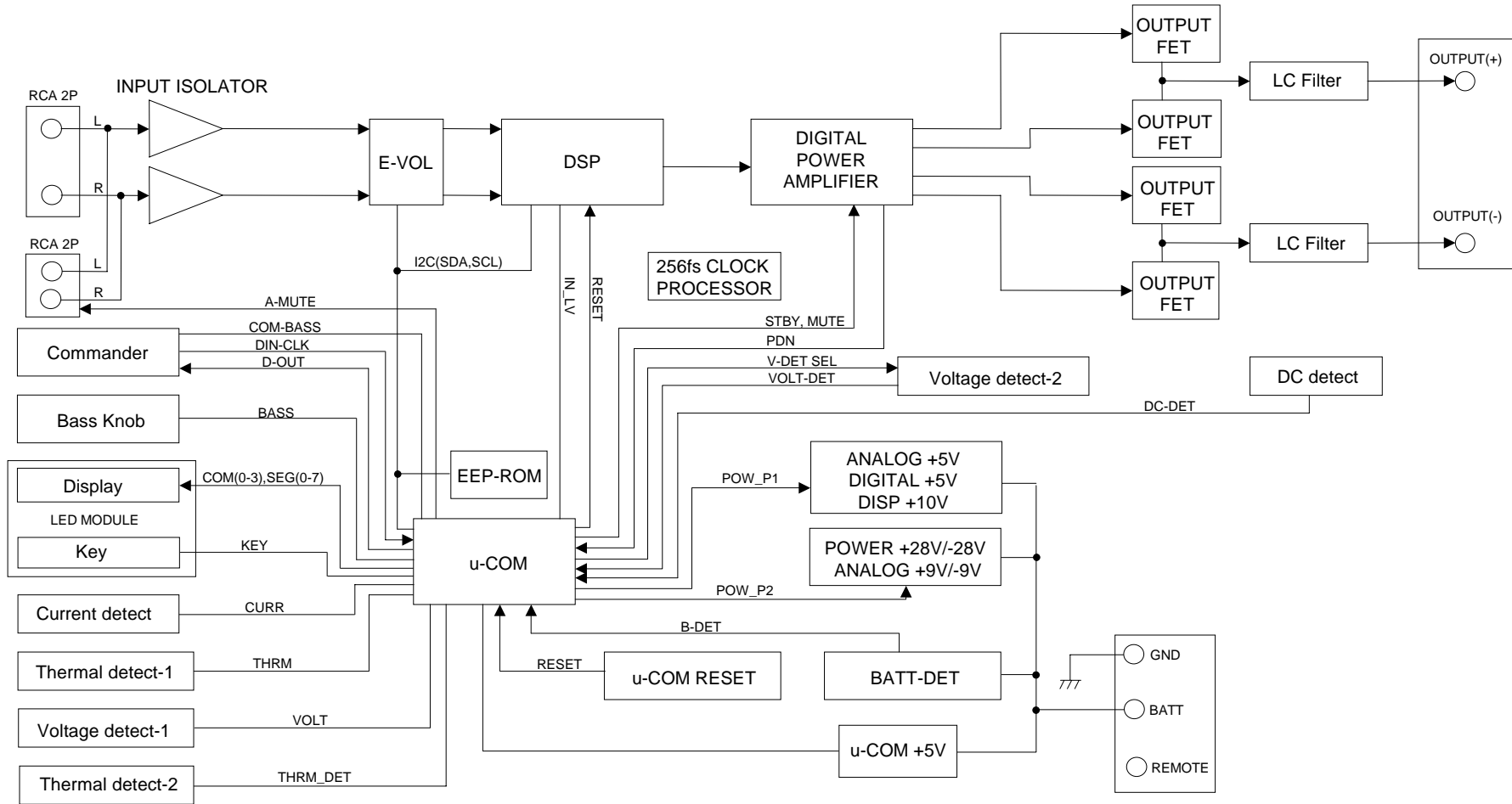


Specifications

Power Output	4ohm, 1% T.H.D., 14.4V, 20Hz & 100Hz : 500W 2ohm, 1% T.H.D., 14.4V, 100Hz : 1000W 2ohm, 1% T.H.D., 14.4V, 20Hz : 900W
T.H.D. (100Hz)	400W/ch/4ohm, 14.4V : 1%
S/N Ratio (Ref. Output 500W/4ohm, Input short, Gain Position -12dB)	80dB
Residual Noise (Input Short, Wide Band, Gain Position -12dB)	40mV
Frequency Response (Ref. 100Hz, 0dB)	20Hz : -0.5±2dB 350Hz : -6±2dB
Input Sensitivity (Power Gain at 1000W/2ohm Output, Gain Position -12dB)	RCA Input Level : 1.9V±2dB
Remote on Voltage (1W Output)	6.5±1V
Current Drain	No Signal : 2.7A 10% T.H.D., 2ohm Load : 170A Remote Current Drain : 0.26±0.1mA Back-Up Current Drain : 1.2mA
Pre-Out Level (at 1V Input)	1V±2dB
Fuse Requirement	80A (For Battery Line)
Power Source	DC14.4V (11~16V)
Dimensions (W x H x D)	550 x 67.6 x 247mm
Weight	7.46kg

NOTE : Due to Continuing product improvement, specifications and designs are subject to change without notice.

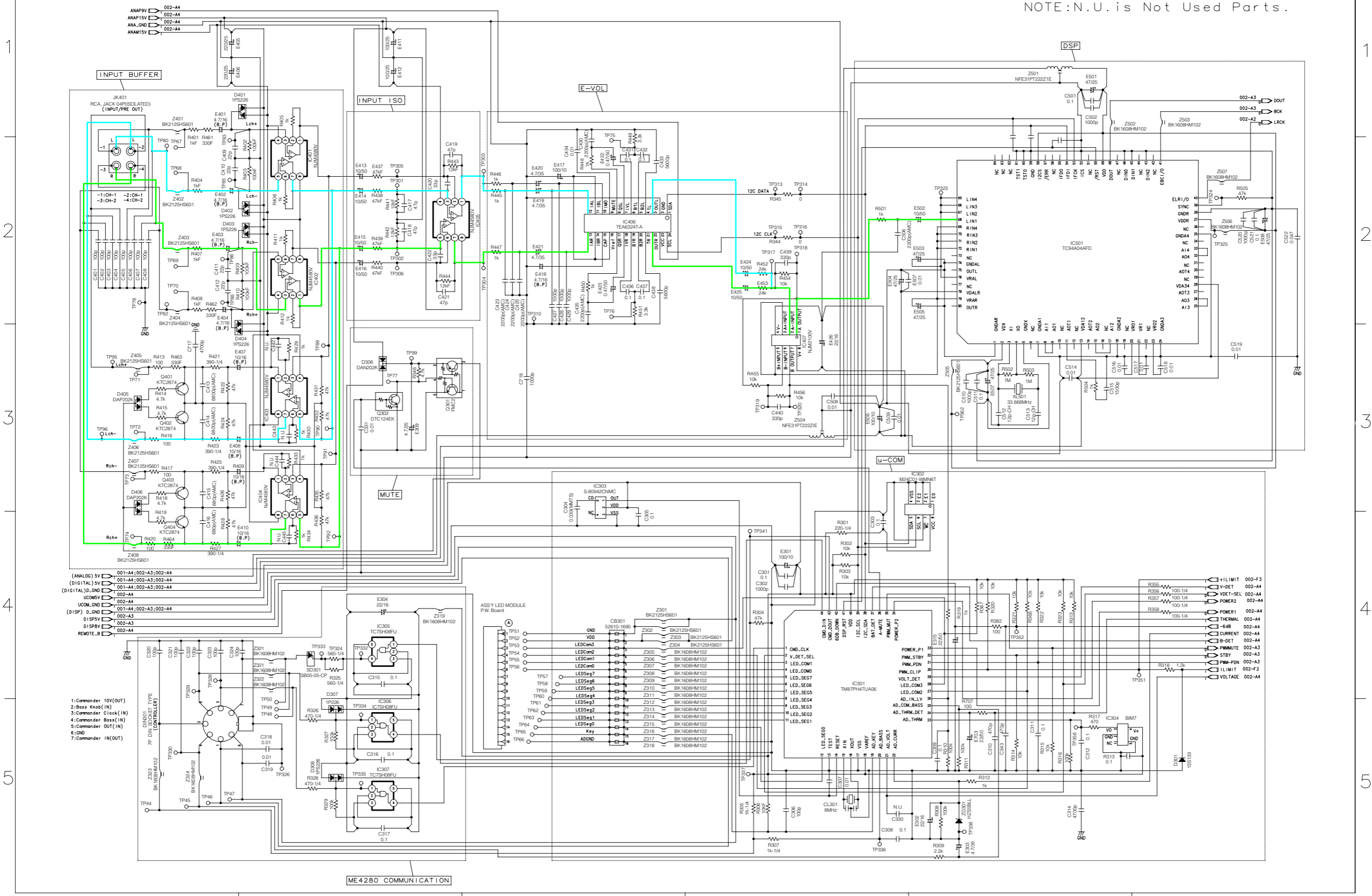
Block Diagram



TO CONTENTS

Schematic Diagram(1/3)

OUTPUT P.W.Board(1/2)
NOTE:N.U. is Not Used Parts.

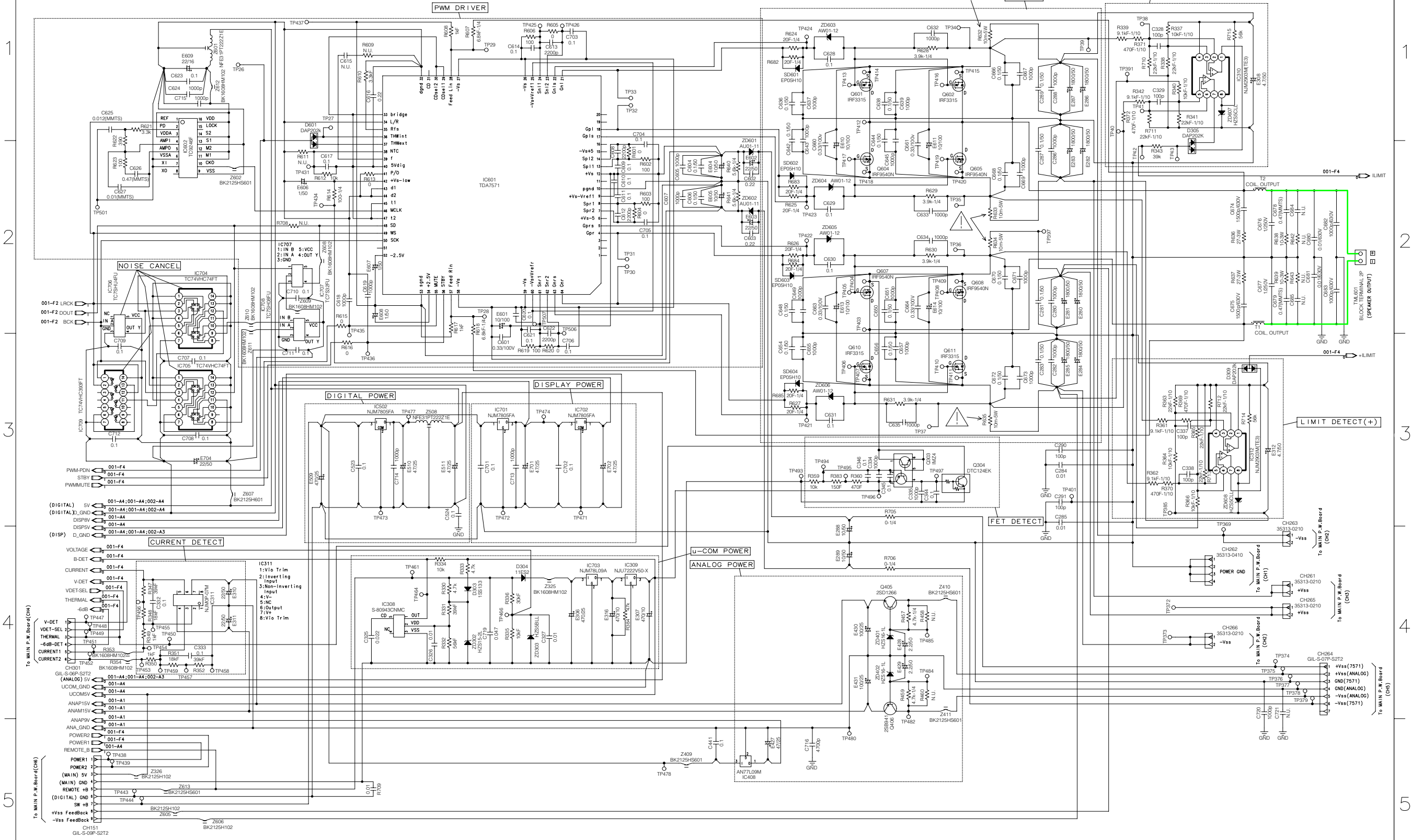


- ANAP9V 002-A4
- ANAP15V 002-A4
- ANAL_GND 002-A4
- ANAM15V 002-A4
- 001-A4;002-A3;002-A4
- 001-A4;002-A3;002-A4
- 001-A4;002-A3;002-A4
- 002-A4
- 002-A4
- 001-A4;002-A3;002-A4
- 002-A3
- 002-A3
- 002-A4

- 1:Commander 10V(OUT)
- 2:Bus Knob(IN)
- 3:Commander Clock(IN)
- 4:Commander Bass(IN)
- 5:Commander OUT(IN)
- 6:GND
- 7:Commander IN(OUT)

- +LIM1T 002-F3
- V-DCT 002-A4
- VOET-SEL 002-A4
- POWER2 002-A4
- POWER1 002-A4
- THERMAL 002-A4
- 6dB 002-A4
- CURRENT 002-A4
- B-DET 002-A4
- PARAMTE 002-A3
- STRY 002-A3
- PMM-PDN 002-A3
- LIM1T 002-F2
- VOLTAGE 002-A4

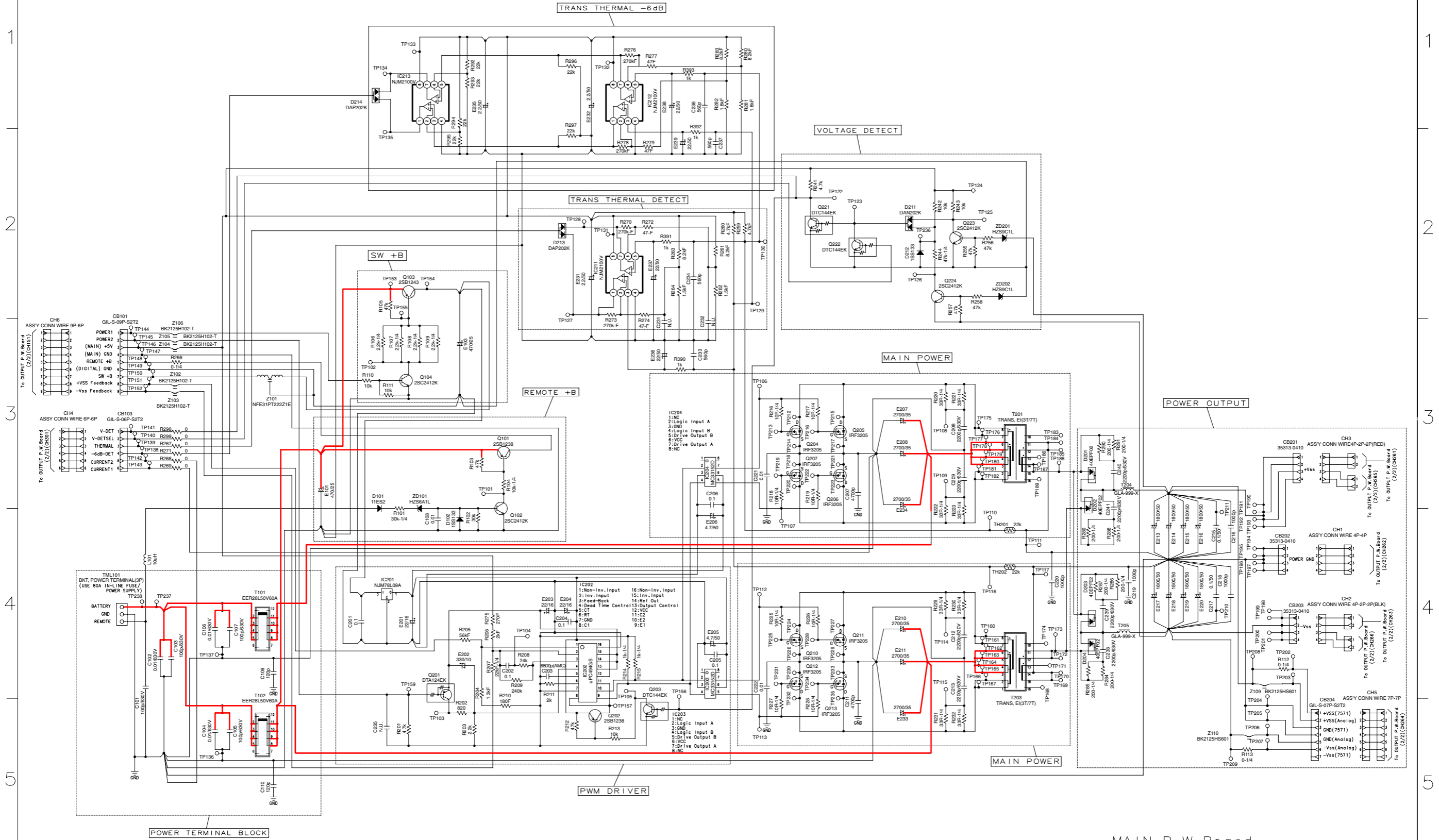
Schematic Diagram(2/3)



Caution: The part marked with  is generating a high voltage, so care will be necessary when working.

OUTPUT P.W. Board(2/2)
NOTE: N.U. is Not Used Parts.

Schematic Diagram(3/3)



MAIN P.W.Board
NOTE:N.U. is Not Used Parts.

[TO P.W. Board](#)

[TO PARTS LIST](#)

[TO CONTENTS](#)

Terminal Voltage of IC/TR

IC201	
1	5.3m
2	5.3m
3	5.3m

IC202			
1	0.37	9	2.53
2	21.2m	10	2.52
3	5.8m	11	22.2m
4	4.0m	12	16.5m
5	0.91	13	4.0m
6	4.7m	14	4.0m
7	4.0m	15	4.0m
8	3.5m	16	4.0m

IC203			
1	0.33	5	0.79
2	2.5	6	16.9m
3	4.2m	7	2.78
4	2.54	8	0.33

IC204			
1	0.42	5	2.8
2	2.54	6	20.0m
3	3.9m	7	2.8
4	0.4	8	0.54

IC211			
1	3.1m	5	2.6m
2	14.7m	6	17.9m
3	2.5m	7	3.3m
4	2.6m	8	2.5m

IC212			
1	0.41m	5	3.5m
2	16.4m	6	19.3m
3	3.2m	7	4.3m
4	3.2m	8	3.0m

IC213			
1	4.2m	5	4.6m
2	121.0m	6	143.9m
3	6.0m	7	3.8m
4	4.1m	8	3.1m

IC301							
1	3.0m	12	2.13	23	4.9m	34	5.5m
2	3.9m	13	2.8m	24	5.1m	35	6.1m
3	2.0	14	33.5m	25	5.1m	36	5.1m
4	2.0	15	132.0m	26	5.1m	37	77.0m
5	2.8m	16	35.9m	27	2.0	38	66.0m
6	2.4	17	3.3m	28	2.0	39	66.0m
7	2.0	18	3.6m	29	47.0m	40	5.4m
8	2.0	19	84.0m	30	61.0m	41	11.6m
9	2.0	20	3.2m	31	5.3m	42	4.8m
10	2.4	21	5.1m	32	5.6m	43	5.6m
11	2.4	22	2.9m	33	5.6m	44	5.0m

IC302			
1	3.5m	5	131.9m
2	3.0m	6	133.0m
3	2.8m	7	2.7m
4	2.7m	8	2.7m

IC303	
1	35.2m
2	3.2m
3	2.8m
4	0.35
5	4.1m

IC304	
1	0.34
2	3.4m
3	7.3m
4	4.2m
5	3.7m

IC305	
1	4.9m
2	3.9m
3	3.8m
4	4.2m
5	4.1m

IC306	
1	137.0m
2	3.5m
3	3.5m
4	3.9m
5	3.7m

IC307	
1	140.0m
2	3.5m
3	3.4m
4	3.6m
5	3.7m

IC308	
1	147.8m
2	9.2m
3	5.2m
4	0.45
5	5.7m

IC309	
1	3.6m
2	3.3m
3	3.3m
4	3.5m

IC310			
1	40.0m	5	30.0m
2	0.2	6	80.0m
3	30.0m	7	39.0m
4	5.2m	8	0.45

IC311			
1	98.0m	5	0.35
2	10.7m	6	9.4m
3	10.5m	7	9.2m
4	9.1m	8	85.4m

IC312			
1	0.32	5	95.1m
2	32.5m	6	33.0m
3	93.4m	7	0.32
4	6.7m	8	5.0m

IC401			
1	11.0m	5	112.6m
2	13.1m	6	12.7m
3	116.8m	7	9.3m
4	4.7m	8	4.8m

IC402			
1	10.0m	5	122.3m
2	12.2m	6	15.5m
3	113.9m	7	13.7m
4	0.33	8	4.8m

IC403			
1	9.6m	5	8.2m
2	12.3m	6	31.0m
3	9.7m	7	7.2m
4	4.7m	8	4.8m

IC404			
1	10.2m	5	8.2m
2	12.3m	6	31.0m
3	9.7m	7	7.2m
4	4.7m	8	4.8m

IC405			
1	4.6m	5	0.32
2	7.6m	6	7.0m
3	92.0m	7	4.5m
4	4.8m	8	4.7m

IC406			
1	106.0m	13	9.7m
2	4.6m	14	4.6m
3	4.7m	15	4.6m
4	9.5m	16	4.6m
5	4.7m	17	5.0m
6	8.7	18	11.9m
7	13.0m	19	7.8m
8	5.1m	20	4.7m
9	6.3m	21	8.4m
10	10.5m	22	4.8m
11	4.6m	23	4.6m
12	10.5m	24	0.32

IC407			
1	11.9m	5	12.4m
2	12.1m	6	12.6m
3	11.8m	7	14.0m
4	11.7m	8	10.1m

IC408	
1	10.2m
2	10.1m
3	10.0m
4	10.9m

IC501									
1	5.6m	17	5.3m	33	5.1m	49	0.35	65	5.5m
2	5.1m	18	5.6m	34	0.3	50	0.35	66	5.5m
3	0.18	19	0.34	35	5.6m	51	0.34	67	5.5m
4	6.7m	20	5.5m	36	0.3	52	0.34	68	13.0m
5	5.6m	21	7.3m	37	5.9m	53	98.6m	69	5.5m
6	0.35	22	0.34	38	9.1m	54	98.3m	70	5.05m
7	5.6m	23	5.5m	39	161.0m	55	6.4m	71	5.5m
8	5.3m	24	5.6m	40	1.1	56	0.34	72	5.6m
9	5.3m	25	5.3m	41	1.05	57	0.35	73	0.36
10	5.3m	26	5.2m	42	0.34	58	5.7m	74	5.6m
11	5.4m	27	10.8m	43	5.5m	59	5.5m	75	14.0m
12	0.34	28	5.6m	44	0.34	60	5.6m	76	5.6m
13	5.7m	29	0.3	45	5.6m	61	5.6m	77	0.36
14	5.5m	30	10.4m	46	0.34	62	0.35	78	5.6m
15	5.3m	31	0.3	47	0.34	63	0.35	79	5.6m
16	0.34	32	5.2m	48	0.35	64	0.35	80	14.0m

IC502	
1	6.3m
2	6.5m
3	6.2m

IC601							
1	0.31	17	12.1m	33	0.36	49	1.1
2	0.3	18	12.0m	34	0.36	50	1.1
3	0.31	19	0.35	35	72.0m	51	0.36
4	0.31	20	0.35	36	0.38	52	5.7m
5	10.7m	21	13.0m	37	60.0m	53	0.35
6	0.31	22	12.8m	38	0.37	54	0.35
7	6.8m	23	5.7m	39	0.35	55	0.35
8	6.8m	24	5.8m	40	89.0m	56	28.7m
9	10.2m	25	0.5	41	5.5m	57	22.4m
10	5.5m	26	0.48	42	5.5m	58	5.4m
11	0.4	27	5.6m	43	5.5m	59	0.35
12	5.5m	28	24.5m	44	5.5m	60	5.6m
13	5.6m	29	12.3m	45	0.39	61	5.6m
14	5.6m	30	12.5m	46	90.0m	62	0.36
15	180.2m	31	0.38	47	90.0m	63	7.9m
16	166.0m	32	5.5m	48	1.7	64	11.9m

IC602			
1	1.1	9	0.33
2	2.1	10	12.4m
3	4.7m	11	4.7m
4	52.9m	12	4.7m
5	30.4m	13	4.6m
6	0.34	14	0.34
7	4.7m	15	4.9m
8	0.35	16	0.34

IC701	
1	6.3m
2	6.5m
3	6.2m

IC702	
1	5.0m
2	5.0m
3	5.0m

IC703	
1	5.3m
2	5.3m
3	5.3m

IC704			
1	4.8m	8	5.0m
2	1.0	9	4.6m
3	1.3	10	0.33
4	4.8m	11	1.3
5	4.6m	12	4.7m
6	5.0m	13	4.9m
7	4.5m	14	0.33

IC705			
1	5.0m	8	0.34
2	4.8m	9	0.34
3	1.1	10	4.9m
4	5.0m	11	4.9m
5	4.8m	12	1.1
6	5.2m	13	4.9m
7	4.7m	14	5.0m

IC706	
1	0.33
2	1.09
3	4.8m
4	1.3
5	5.0m

IC707	
1	1.47
2	0.32
3	4.79m
4	1.6
5	5.1m

IC708	
1	4.9m
2	5.2m
3	4.8m
4	4.9m
5	5.1m

IC709			
1	1.1	8	4.9m
2	1.1	9	4.9m
3	4.9m	10	4.9m
4	4.9m	11	4.9m
5	4.9m	12	1.1
6	4.9m	13	4.9m
7	4.8m	14	5.0m

Q301	
1	5.5m
2	5.4m
3	5.4m
4	192.0m
5	0.28

Q303	
1	10.1m
2	10.3m
3	10.2m
4	9.9m
5	9.9m
6	10.2m

	E	C	B
Q101	5.9m	5.8m	5.9m
Q102	5.9m	5.9m	6.5m
Q103	5.9m	6.0m	6.0m
Q104	5.9m	6.0m	6.1m
Q201	6.2m	22.2m	8.2m
Q202	23.6m	28.1m	27.3m
Q203	6.2m	6.2m	90.0m
Q221	3.4m	52.1m	2.1m
Q222	3.3m	142.0m	5.9m
Q223	3.4m	3.2m	3.6m
Q224	2.3m	2.3m	2.7m
Q302	5.0m	5.0m	5.9m
Q304	6.3m	6.6m	10.3m
Q401	0.28	4.7m	6.9m
Q402	0.36	4.7m	14.1m
Q403	0.28	4.7m	7.0m
Q404	0.28	5.0m	6.8m
Q405	4.9m	4.9m	4.9m
Q406	4.9m	4.9m	4.9m

	G	D	S
Q204	2.8	11.3	5.3m
Q205	2.8	11.3	3.0m
Q206	2.8	11.3	5.3m
Q207	2.8	11.3	5.5m
Q210	2.8	11.3	3.6m
Q211	2.8	11.3	3.7m
Q212	2.8	11.3	2.9m
Q213	2.8	11.3	3.0m
Q601	2.3	37.0	5.9m
Q602	2.3	37.0	6.8m
Q604	2.3	37.0	7.9m
Q605	2.3	37.0	10.0m
Q607	2.3	37.0	8.6m
Q608	2.3	37.0	10.0m
Q610	2.3	37.0	7.0m
Q611	2.3	37.0	7.9m

[Measuring Conditions]

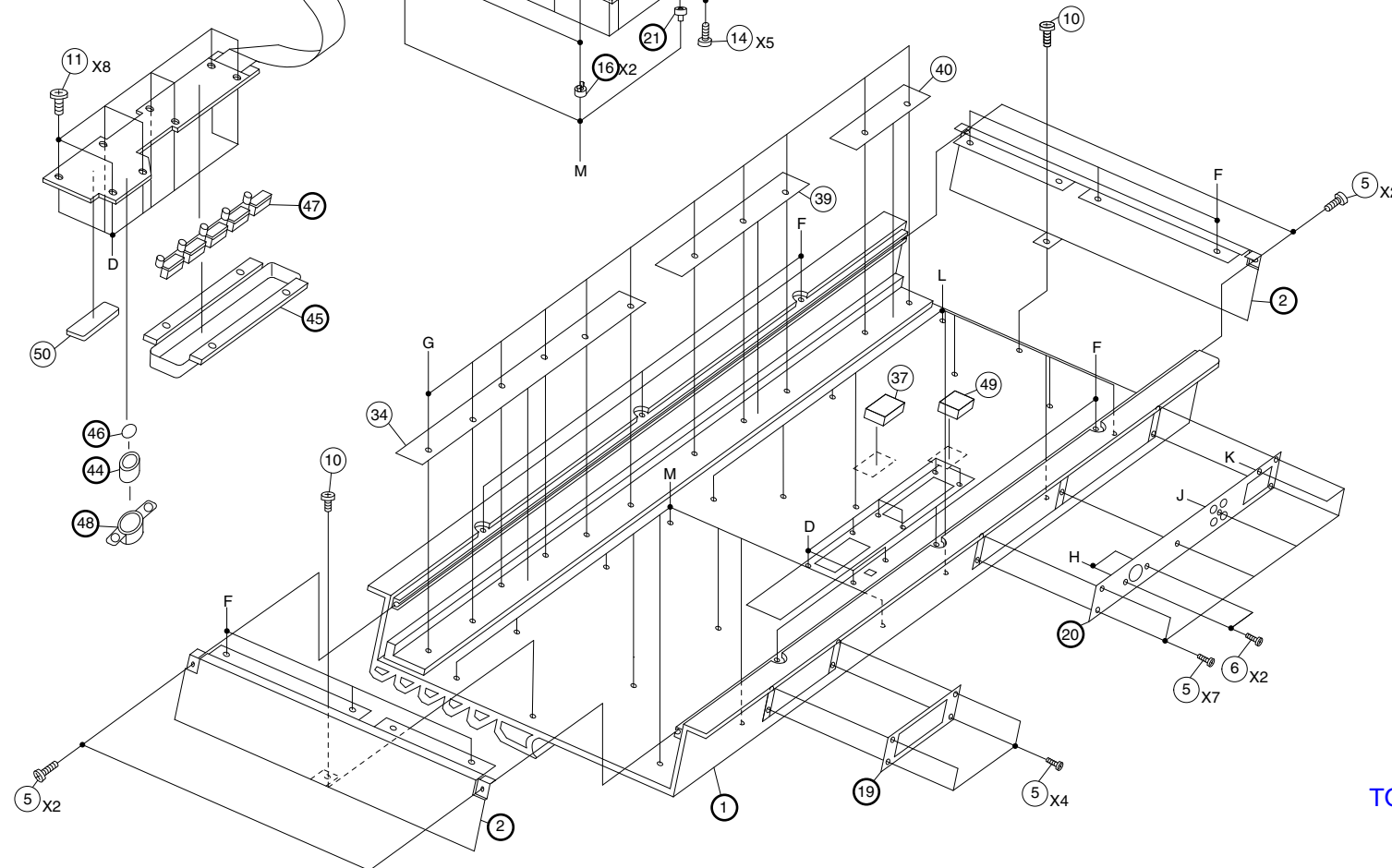
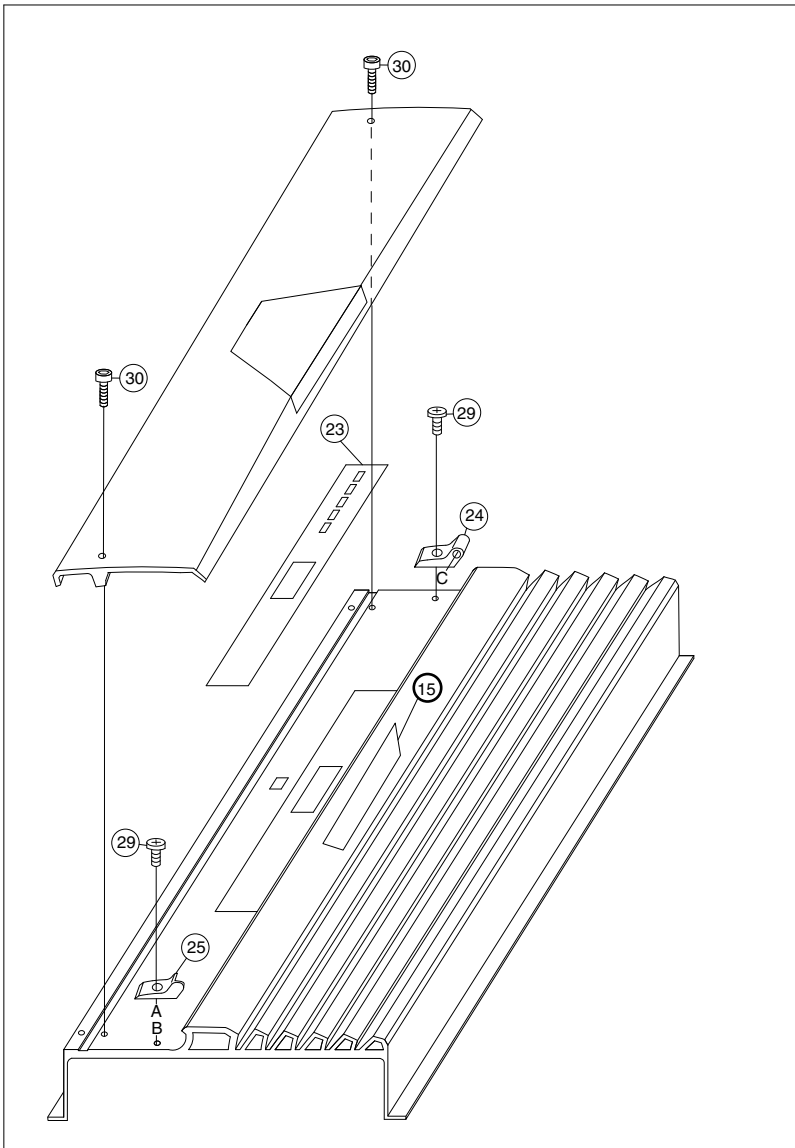
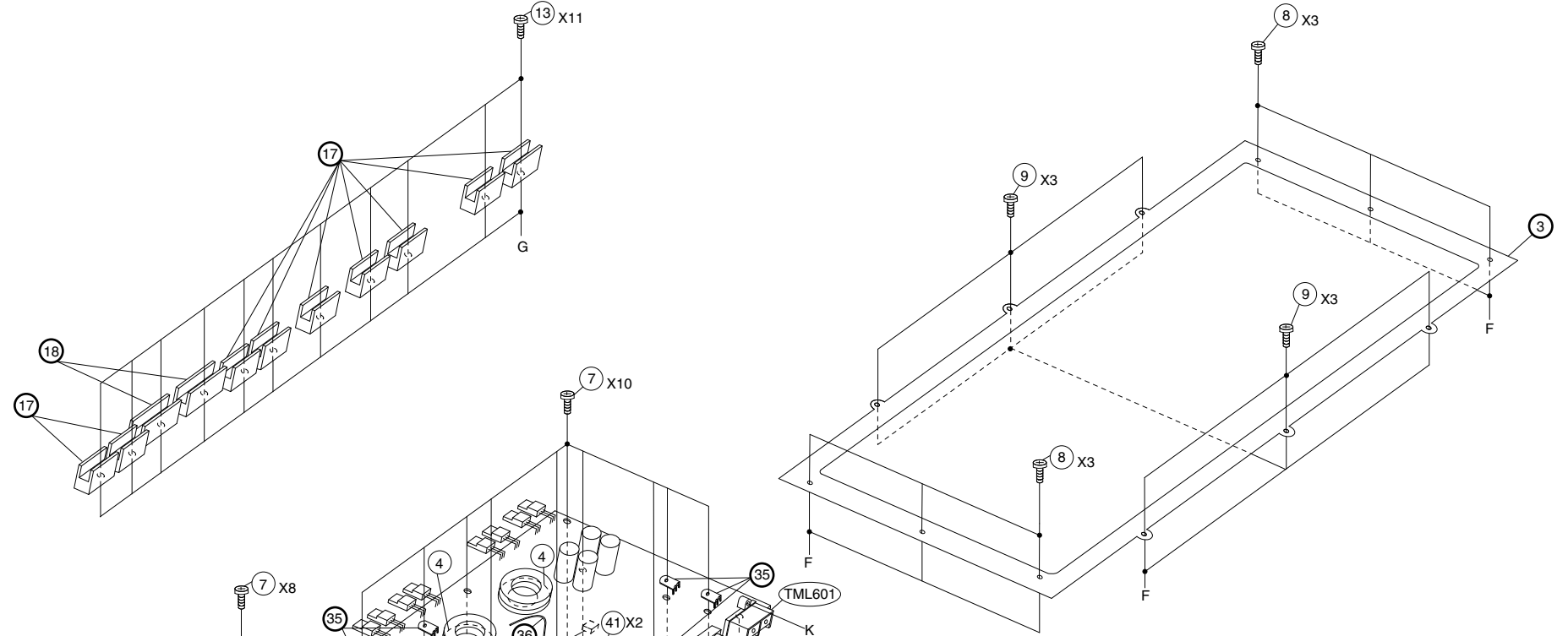
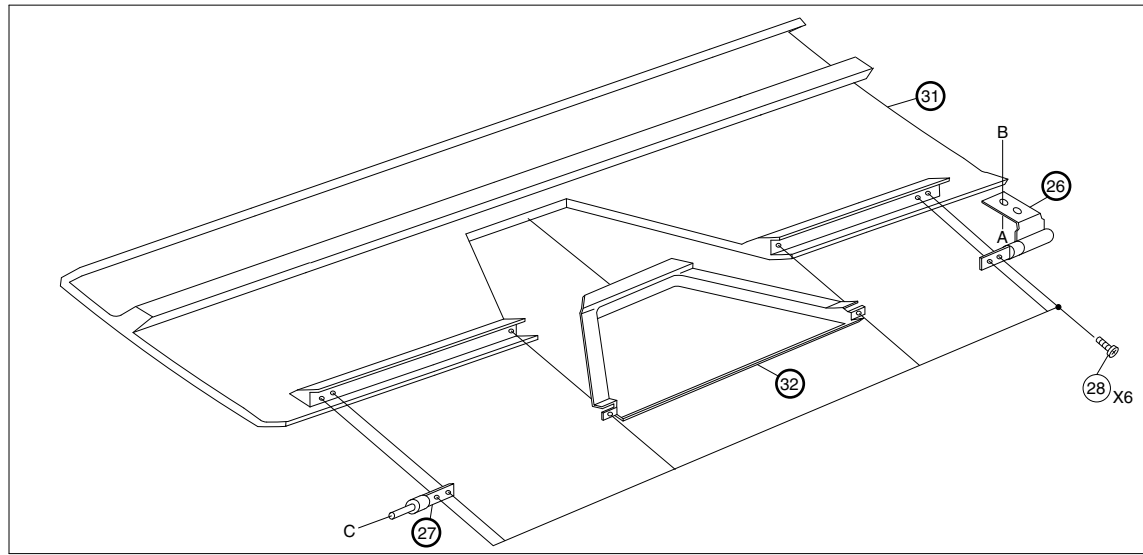
- 1.Power supply Voltage : 14.4V
- 2.Measuring Meter : Digital Multi Meter
- 3.Measuring Point Reference : Between GND
- 4.Measuring Condition : No Signal Input

Description of IC Terminal

TMP87PH47UA06 : IC301

No.	Symbol	I/O	Terminal Description
1	CMD_CLK	I	Outernal commander terminal. (Clock)
2	V_DET_SEL	O	VOLT-DETcircuit ON/OFF terminal.
3	LED_COM1	O	LED common signal-1 output terminal.
4	LED_COM0	O	LED common signal-0 output terminal.
5	LED_SEG7	O	LED segment-7 output terminal.
6	LED_SEG6	O	LED segment-6 output terminal.
7	LED_SEG5	O	LED segment-5 output terminal.
8	LED_SEG4	O	LED segment-4 output terminal.
9	LED_SEG3	O	LED segment-3 output terminal.
10	LED_SEG2	O	LED segment-2 output terminal.
11	LED_SEG1	O	LED segment-1 output terminal.
12	LED_SEG0	O	LED segment-0 output terminal.
13	TEST	I	TEST terminal.
14	RESET	I	RESET terminal.
15	XIN	I	Crystal OSC connect terminal.
16	XOUT	O	
17	VSS	I	GND connect terminal. (GND of A/D standard)
18	VAREF	I	Analog standard voltage terminal.
19	AD_KEY	I	Key level input terminal.
20	AD_BASS	I	Gain level input terminal. (Bass Knob)
21	AD_VOLT	I	Voltage signal input terminal.
22	AD_CURR	I	Current signal input terminal.
23	AD_THRM	I	Thermal signal input terminal.
24	AD_THRM_DET	I	Thermal detection input terminal.
25	AD_COM_BASS	O	Gain level input terminal. (Commander)
26	AD_IN_LV	I	Input level signal input terminal.
27	LED_COM2	O	LED common signal-2 output terminal.
28	LED_COM3	O	LED common signal-3 output terminal.
29	VOLT_DET	I	VOLT-DET terminal.
30	PWM_CLIP	I	PWM-CLIP input terminal.
31	PWM_PDN	I	PWM-PDN input terminal.
32	PWM_STBY	O	PWM Stand-by output terminal.
33	POWER_P1	O	Power supply circuit control signal output terminal.
34	POWER_P2		
35	PWM_MUT	O	PWM-MUTE output terminal.
36	A-MUTE	O	A-MUTE signal terminal.
37	BAT_DET	I	BAT-DET terminal.
38	I2C_SDA	O	I2C-SDA output terminal.
39	I2C_SCL	O	I2C-SCL output terminal.
40	VDD	I	Power supply terminal. (4.5 to 5.5V)
41	DSP_RST	O	DSP-RESET output terminal.
42	6DB_DOWN	I	Thermal detection input terminal. (6dB down)
43	CMD_DOUT	O	Outernal commander terminal. (Data output)
44	CMD_DIN	I	Outernal commander terminal. (Data input)

Exploded View (Cabinet)



[TO PARTS LIST](#)

[TO CONTENTS](#)

Cabinet Assembly Parts List

Note : The part that has not PART NUMBER will not be supplied.

1	-----	MAIN HEAT SINK
2	-----	CHAS,FRONT
3	-----	COVER,BOTTOM
4	14E34146S01	INSULATOR SHEET
5	03E09416S10	SCR,M3X8(P)TPG-TPT(BLK)
6	03E33356S01	SCR,M2.6X8(P)MCH(BLK)
7	03E29347S01	SCR,M3X11(W)TPG-TPT(YEL)
8	03E09417S01	SCR,M2.6X5(B)MCH-TPT(WHT)
9	03E29276S01	SCR,M3X6(B)TPG-TPT(WHT)
10	03E09417S08	SCR,M3X5(B)TPG-TPT(BLK)
11	03E33358S01	SCR,M3X6(S)TPG-TPT(YEL)
12	03E33407S01	SCR,M3X6(B)MCH(MFS-WHT)
13	03E35143S01	SCR,M3X18(S.W)TPG-TPT(BLK)
14	03E35144S01	SCR,M4X16(S.W)MCH(WHT)
15	-----	BADGE,PLATE
16	-----	SUPPORT PWB
17	-----	BAR H/SINK(A)
18	-----	BAR H/SINK(B)
19	-----	CHAS SIDE(A)
20	-----	CHAS SIDE(B)
21	-----	STUD,GROUND
22	75E35145S01	CUSHION(10X10X3T)
23	64E35146S01	SHEET MONO
24	15E33362S01	COVER,SHAFT
25	15E33363S01	COVER,HINGE(R)
26	-----	HINGE ASS'Y
27	-----	SHAFT,HINGE
28	03E28022S01	SCR M2.6X6(B)TPG-TPT(WHT)
29	03E20077S01	SCR,M3X6(B)TPG-TPT(BLK)
30	03E33366S01	WRENCH BOLT M3X12(WHT)
31	-----	COVER HEAT SINK
32	-----	SCALE PLATE
34	75E35147S01	SILPAD(A)(218MM)
35	-----	LUG,GND TERMINAL-RD
36	-----	FORMING WIRE 100MM
37	75T65626Y02	CUSHION CONVICTION(15X20)
39	75E35171S01	SILPAD(B)(127MM)
40	75E35172S01	SILPAD(C)(78MM)
41	03E20922S01	SCR M3X11(S.W)TPG-TPT(YEL)
42	-----	HEAT,SINK
44	-----	LENS LED
45	-----	HOLDER KNOB
46	-----	DIFUSSION FILM
47	-----	KNOB MONO
48	-----	HOLDER LED
49	75T65626Y01	CUSHION CONVICTION(15X15)
50	01E34671S01	ASS'Y MODULE

MRD-M1000(ELE)

Electrical Parts List

*****OUTPUT P.W.Board

=====IC's

IC301	51T55543Y08	OTP,TMP87PH47UA06
IC302	51E35180S01	IC, MC24C01-WMN6T-SE2
IC303	51T65016Y30	IC S-80942 CNMC-T2-CP
IC304	51T55129Y01	LM20BIM7-CP
IC305	51T15185Y01	IC TC7SH08FU-TE85L
IC306	51T15185Y01	IC TC7SH08FU-TE85L
IC307	51T15185Y01	IC TC7SH08FU-TE85L
IC308	51T65016Y31	IC S-80943 CNMC-T2-CP
IC309	51E35179S01	IC,NJU7222V50-X
IC310	51E23843S01	IC,NJM2903M-TE3
IC311	51E33393S01	IC,NJMOP-07M-TE3
IC312	51E23843S01	IC,NJM2903M-TE3
IC401	51E35178S01	IC,NJM4580V-TE2
IC402	51E35178S01	IC,NJM4580V-TE2
IC403	51E35178S01	IC,NJM4580V-TE2
IC404	51E35178S01	IC,NJM4580V-TE2
IC405	51E35178S01	IC,NJM4580V-TE2
IC406	51T15168Y01	IC, TEA6324T-A
IC407	51E35166S01	IC NJM2100V-TE2
IC408	51T75197W09	AN77L09M-TX-NE2
IC501	51T45654Y02	TC94A04AFD-QF
IC502	51E35173S01	IC,REG NJM7805FA,T0-220F
IC601	51T55104Y01	TDA7571
IC602	51T35012Y01	IC, TC9246F-EL
IC701	51E34570S01	IC,REG,NJM7808FA,T0-220F
IC702	51E35173S01	IC,REG NJM7805FA,T0-220F
IC703	51E28509S01	NJM78L09A-NB
IC704	51T25084Y01	TC74VHC74FT
IC705	51T25084Y01	TC74VHC74FT
IC706	51T25141Y01	TC7SHU04FU
IC707	51T25473Y01	TC7S32FU
IC708	51T15185Y01	IC TC7SH08FU-TE85L
IC709	51T15192Y01	TC74VHC393FT-EL-SE5

=====Transistors/FET's

Q301	48E11274S01	TR,FMC2-T-149-CP
Q302	48E10426S01	TR,DTC 124EK-T146-CP
Q303	48E33332S01	TR,IMZ4 108-SMT6
Q304	48E10426S01	TR,DTC 124EK-T146-CP
Q401	48E31104S01	TR,KTC2874-B-RD
Q402	48E31104S01	TR,KTC2874-B-RD
Q403	48E31104S01	TR,KTC2874-B-RD
Q404	48E31104S01	TR,KTC2874-B-RD
Q405	48T56031F01	TR, 2SD1266
Q406	48T56030F04	TR,2SB941
Q601	48T65665Y01	FET IRF3315
Q602	48T65665Y01	FET IRF3315

Q604	48T25536Y01	FET IRF 9540N
Q605	48T25536Y01	FET IRF 9540N
Q607	48T25536Y01	FET IRF 9540N
Q608	48T25536Y01	FET IRF 9540N
Q610	48T65665Y01	FET IRF3315
Q611	48T65665Y01	FET IRF3315
=====Diodes		
D301	48T68828F11	DIO,1SS133-RH
D303	48T68828F11	DIO,1SS133-RH
D304	48T84052F11	DIO SI 11ES2-TB5-R5
D305	48E23841S01	DIO,DAP,202K-T-146-CP
D306	48E10945S01	DIO,DAN 202K-T-146-CP
D307	48T85357W01	DIO, 1PS 226-CP
D308	48T85357W01	DIO, 1PS 226-CP
D309	48E23841S01	DIO,DAP,202K-T-146-CP
D401	48T85357W01	DIO, 1PS 226-CP
D402	48T85357W01	DIO, 1PS 226-CP
D403	48T85357W01	DIO, 1PS 226-CP
D404	48T85357W01	DIO, 1PS 226-CP
D405	48E23841S01	DIO,DAP,202K-T-146-CP
D406	48E23841S01	DIO,DAP,202K-T-146-CP
D601	48E23841S01	DIO,DAP,202K-T-146-CP
SD301	48T15702W01	DIO,CP SB05-05-CP
SD601	48T65242Y01	EP05H10
SD602	48T65242Y01	EP05H10
SD603	48T65242Y01	EP05H10
SD604	48T65242Y01	EP05H10
ZD301	48T25801W11	DIO,ZEN,HZS 5BLL-R5
ZD302	48T25766W46	DIO,ZEN HZS 15-2L-R5
ZD303	48T25801W11	DIO,ZEN,HZS 5BLL-R5
ZD401	48T25766W48	DIO,ZEN HZS16-1L-R5
ZD402	48T25766W48	DIO,ZEN HZS16-1L-R5
ZD601	48T65223Y02	DIO,ZEN AU01-11,2.5W
ZD602	48T65223Y02	DIO,ZEN AU01-11,2.5W
ZD603	48T65224Y02	DIO,ZEN AW01-12,2.5W
ZD604	48T65224Y02	DIO,ZEN AW01-12,2.5W
ZD605	48T65224Y02	DIO,ZEN AW01-12,2.5W
ZD606	48T65224Y02	DIO,ZEN AW01-12,2.5W
ZD607	48T25801W12	DIO ZN HZS5CLL-A1
ZD608	48T25801W12	DIO ZN HZS5CLL-A1
=====Filters		
R353	91T15509Y08	EMI,BK1608HM102-CP
R354	91T15509Y08	EMI,BK1608HM102-CP
Z301	91T65112W04	EMI,BK2125 HS601-CP
Z302	91T65112W04	EMI,BK2125 HS601-CP
Z303	91T65112W04	EMI,BK2125 HS601-CP
Z304	91T65112W04	EMI,BK2125 HS601-CP
Z305	91T15509Y08	EMI,BK1608HM102-CP
Z306	91T15509Y08	EMI,BK1608HM102-CP
Z307	91T15509Y08	EMI,BK1608HM102-CP
Z308	91T15509Y08	EMI,BK1608HM102-CP
Z309	91T15509Y08	EMI,BK1608HM102-CP

Z310	91T15509Y08	EMI,BK1608HM102-CP
Z311	91T15509Y08	EMI,BK1608HM102-CP
Z312	91T15509Y08	EMI,BK1608HM102-CP
Z313	91T15509Y08	EMI,BK1608HM102-CP
Z314	91T15509Y08	EMI,BK1608HM102-CP
Z315	91T15509Y08	EMI,BK1608HM102-CP
Z316	91T15509Y08	EMI,BK1608HM102-CP
Z317	91T15509Y08	EMI,BK1608HM102-CP
Z318	91T15509Y08	EMI,BK1608HM102-CP
Z319	91T15509Y08	EMI,BK1608HM102-CP
Z320	91T15509Y08	EMI,BK1608HM102-CP
Z321	91T15509Y08	EMI,BK1608HM102-CP
Z322	91T15509Y08	EMI,BK1608HM102-CP
Z323	91T15509Y08	EMI,BK1608HM102-CP
Z324	91T15509Y08	EMI,BK1608HM102-CP
Z325	91T15509Y08	EMI,BK1608HM102-CP
Z401	91T65112W04	EMI,BK2125 HS601-CP
Z402	91T65112W04	EMI,BK2125 HS601-CP
Z403	91T65112W04	EMI,BK2125 HS601-CP
Z404	91T65112W04	EMI,BK2125 HS601-CP
Z405	91T65112W04	EMI,BK2125 HS601-CP
Z406	91T65112W04	EMI,BK2125 HS601-CP
Z407	91T65112W04	EMI,BK2125 HS601-CP
Z408	91T65112W04	EMI,BK2125 HS601-CP
Z409	91T65112W04	EMI,BK2125 HS601-CP
Z410	91T65112W04	EMI,BK2125 HS601-CP
Z411	91T65112W04	EMI,BK2125 HS601-CP
Z501	91T15058Y07	EMI,NFE31PT222Z1E-CP
Z502	91T15509Y08	EMI,BK1608HM102-CP
Z503	91T15509Y08	EMI,BK1608HM102-CP
Z504	91T15058Y07	EMI,NFE31PT222Z1E-CP
Z505	91T65112W04	EMI,BK2125 HS601-CP
Z506	91T15509Y08	EMI,BK1608HM102-CP
Z507	91T15509Y08	EMI,BK1608HM102-CP
Z508	91T15058Y07	EMI,NFE31PT222Z1E-CP
Z601	91T15058Y07	EMI,NFE31PT222Z1E-CP
Z602	91T65112W04	EMI,BK2125 HS601-CP
Z607	91T65112W04	EMI,BK2125 HS601-CP
Z608	91T15509Y08	EMI,BK1608HM102-CP
Z609	91T15509Y08	EMI,BK1608HM102-CP
Z610	91T15509Y08	EMI,BK1608HM102-CP
Z611	91T15509Y08	EMI,BK1608HM102-CP
Z612	91T15509Y08	EMI,BK1608HM102-CP
Z613	91T65112W04	EMI,BK2125 HS601-CP
=====Coils		
T1	24E35174S01	COIL,OUTPUT (CORE NO.3)
T2	24E35174S01	COIL,OUTPUT (CORE NO.3)
Z326	91T65112W06	COIL,BK2125H102-T
Z605	91T65112W06	COIL,BK2125H102-T
Z606	91T65112W06	COIL,BK2125H102-T
=====Crystals		
CL301	91T45281Y04	OSC,CER CSTCR7M70-E1

XL501	91T55217Y02	XTL,NX8045GB 33.8-E5
=====Capacitors		
C280	08E28769S01	CAP,CER 102-K-SL1H-CP
C281	08E26532S01	CAP,CER.21-X7R-104-K-CP
C282	08E28769S01	CAP,CER 102-K-SL1H-CP
C283	08E26532S01	CAP,CER.21-X7R-104-K-CP
C284	08E28771S01	CAP,CER 103-K-B1H-CP
C285	08E28771S01	CAP,CER 103-K-B1H-CP
C286	08E28769S01	CAP,CER 102-K-SL1H-CP
C287	08E26532S01	CAP,CER.21-X7R-104-K-CP
C288	08E28769S01	CAP,CER 102-K-SL1H-CP
C289	08E26532S01	CAP,CER.21-X7R-104-K-CP
C290	08E28764S01	CAP,CER 101-J-SL1H-CP
C291	08E28764S01	CAP,CER 101-J-SL1H-CP
C301	08E31820S01	CAP,CER 104-K-B1E-CP
C302	08E28769S01	CAP,CER 102-K-SL1H-CP
C303	08E31820S01	CAP,CER 104-K-B1E-CP
C304	08E20755S01	CAP,TF,MMTS 333-J-RD
C305	08E31820S01	CAP,CER 104-K-B1E-CP
C306	08E28764S01	CAP,CER 101-J-SL1H-CP
C307	08E28771S01	CAP,CER 103-K-B1H-CP
C308	08E31820S01	CAP,CER 104-K-B1E-CP
C309	08E31820S01	CAP,CER 104-K-B1E-CP
C310	08E31939S01	CAP,CER 471-J-SL1H-CP
C311	08E31820S01	CAP,CER 104-K-B1E-CP
C312	08E31820S01	CAP,CER 104-K-B1E-CP
C313	08E31820S01	CAP,CER 104-K-B1E-CP
C314	08E31816S01	CAP,CER 472-K-B1H-CP
C315	08E31820S01	CAP,CER 104-K-B1E-CP
C316	08E31820S01	CAP,CER 104-K-B1E-CP
C317	08E31820S01	CAP,CER 104-K-B1E-CP
C318	08E28771S01	CAP,CER 103-K-B1H-CP
C319	08E28771S01	CAP,CER 103-K-B1H-CP
C320	08E28764S01	CAP,CER 101-J-SL1H-CP
C321	08E28764S01	CAP,CER 101-J-SL1H-CP
C322	08E28764S01	CAP,CER 101-J-SL1H-CP
C323	08E28764S01	CAP,CER 101-J-SL1H-CP
C324	08E28764S01	CAP,CER 101-J-SL1H-CP
C325	08E31170S01	CAP,CER 223-K-B1H-CP
C326	08E28771S01	CAP,CER 103-K-B1H-CP
C327	08E28771S01	CAP,CER 103-K-B1H-CP
C328	08E28764S01	CAP,CER 101-J-SL1H-CP
C329	08E28764S01	CAP,CER 101-J-SL1H-CP
C331	08E28771S01	CAP,CER 103-K-B1H-CP
C332	08E31820S01	CAP,CER 104-K-B1E-CP
C333	08E31820S01	CAP,CER 104-K-B1E-CP
C334	08E28769S01	CAP,CER 102-K-SL1H-CP
C335	08E28769S01	CAP,CER 102-K-SL1H-CP
C337	08E28764S01	CAP,CER 101-J-SL1H-CP
C338	08E28764S01	CAP,CER 101-J-SL1H-CP
C343	08E31939S01	CAP,CER 471-J-SL1H-CP
C344	08E26532S01	CAP,CER.21-X7R-104-K-CP

C345	08E26532S01	CAP,CER.21-X7R-104-K-CP
C346	08E26532S01	CAP,CER.21-X7R-104-K-CP
C401	08E28764S01	CAP,CER 101-J-SL1H-CP
C402	08E28764S01	CAP,CER 101-J-SL1H-CP
C403	08E28764S01	CAP,CER 101-J-SL1H-CP
C404	08E28764S01	CAP,CER 101-J-SL1H-CP
C405	08E28764S01	CAP,CER 101-J-SL1H-CP
C406	08E28764S01	CAP,CER 101-J-SL1H-CP
C407	08E28764S01	CAP,CER 101-J-SL1H-CP
C408	08E28764S01	CAP,CER 101-J-SL1H-CP
C409	08E28761S01	CAP,CER 22R-J-SL1H-CP
C410	08E28761S01	CAP,CER 22R-J-SL1H-CP
C411	08E28761S01	CAP,CER 22R-J-SL1H-CP
C412	08E28761S01	CAP,CER 22R-J-SL1H-CP
C413	08E29517S01	CAP,TF,AMCS 682-J-RD
C414	08E29517S01	CAP,TF,AMCS 682-J-RD
C415	08E29517S01	CAP,TF,AMCS 682-J-RD
C416	08E29517S01	CAP,TF,AMCS 682-J-RD
C417	08E28763S01	CAP,CER 47R-J-SL1H-CP
C418	08E28763S01	CAP,CER 47R-J-SL1H-CP
C419	08E28763S01	CAP,CER 47R-J-SL1H-CP
C420	08E28762S01	CAP,CER 33R-J-SL1H-CP
C421	08E28763S01	CAP,CER 47R-J-SL1H-CP
C422	08E28762S01	CAP,CER 33R-J-SL1H-CP
C423	08E20992S01	CAP,TF,AMCS 222-J-RD
C424	08E20992S01	CAP,TF,AMCS 222-J-RD
C425	08E20992S01	CAP,TF,AMCS 222-J-RD
C427	08E28769S01	CAP,CER 102-K-SL1H-CP
C428	08E28769S01	CAP,CER 102-K-SL1H-CP
C429	08E28769S01	CAP,CER 102-K-SL1H-CP
C430	08E20992S01	CAP,TF,AMCS 222-J-RD
C431	08E31820S01	CAP,CER 104-K-B1E-CP
C432	08E31820S01	CAP,CER 104-K-B1E-CP
C433	08E31817S01	CAP,CER 562-K-B1H-CP
C434	08E28771S01	CAP,CER 103-K-B1H-CP
C435	08E20992S01	CAP,TF,AMCS 222-J-RD
C436	08E31820S01	CAP,CER 104-K-B1E-CP
C437	08E31820S01	CAP,CER 104-K-B1E-CP
C438	08E31817S01	CAP,CER 562-K-B1H-CP
C439	08E31821S01	CAP,CER 331-K-B1H-CP
C440	08E31821S01	CAP,CER 331-K-B1H-CP
C441	08E31820S01	CAP,CER 104-K-B1E-CP
C501	08E31820S01	CAP,CER 104-K-B1E-CP
C502	08E28769S01	CAP,CER 102-K-SL1H-CP
C503	08E28771S01	CAP,CER 103-K-B1H-CP
C504	08E28763S01	CAP,CER 47R-J-SL1H-CP
C505	08E28763S01	CAP,CER 47R-J-SL1H-CP
C506	08E20992S01	CAP,TF,AMCS 222-J-RD
C507	08E28771S01	CAP,CER 103-K-B1H-CP
C508	08E28771S01	CAP,CER 103-K-B1H-CP
C509	08E28771S01	CAP,CER 103-K-B1H-CP
C510	08E28769S01	CAP,CER 102-K-SL1H-CP

C511	08E31820S01	CAP,CER 104-K-B1E-CP
C512	08E33111S01	CAP,CER 12R-J-CH1H-CP
C513	08E33111S01	CAP,CER 12R-J-CH1H-CP
C514	08E28771S01	CAP,CER 103-K-B1H-CP
C515	08E31828S01	CAP,CER 152-K-B1H-CP
C516	08E28771S01	CAP,CER 103-K-B1H-CP
C517	08E28771S01	CAP,CER 103-K-B1H-CP
C518	08E28771S01	CAP,CER 103-K-B1H-CP
C519	08E28771S01	CAP,CER 103-K-B1H-CP
C520	08E28769S01	CAP,CER 102-K-SL1H-CP
C521	08E31820S01	CAP,CER 104-K-B1E-CP
C522	08E29173S01	CAP,CER 16-473-Z-F1E-CP
C523	08E31820S01	CAP,CER 104-K-B1E-CP
C524	08E31820S01	CAP,CER 104-K-B1E-CP
C601	08S55504Y01	CAP,CER 334 MX7R2A-CP
C602	08E31932S01	CAP,CER 224-Z-F1C-CP
C603	08E31932S01	CAP,CER 224-Z-F1C-CP
C604	08E26532S01	CAP,CER.21-X7R-104-K-CP
C605	08E28769S01	CAP,CER 102-K-SL1H-CP
C606	08E26532S01	CAP,CER.21-X7R-104-K-CP
C607	08E28769S01	CAP,CER 102-K-SL1H-CP
C608	08E31991S01	CAP,CER 222-K-B1H-CP
C609	08E31820S01	CAP,CER 104-K-B1E-CP
C610	08E31820S01	CAP,CER 104-K-B1E-CP
C611	08E31820S01	CAP,CER 104-K-B1E-CP
C612	08E31991S01	CAP,CER 222-K-B1H-CP
C613	08E31991S01	CAP,CER 222-K-B1H-CP
C614	08E31820S01	CAP,CER 104-K-B1E-CP
C616	08E31932S01	CAP,CER 224-Z-F1C-CP
C617	08E31820S01	CAP,CER 104-K-B1E-CP
C618	08E28769S01	CAP,CER 102-K-SL1H-CP
C619	08E28769S01	CAP,CER 102-K-SL1H-CP
C620	08E31820S01	CAP,CER 104-K-B1E-CP
C621	08E31820S01	CAP,CER 104-K-B1E-CP
C622	08E31991S01	CAP,CER 222-K-B1H-CP
C623	08E31820S01	CAP,CER 104-K-B1E-CP
C624	08E28769S01	CAP,CER 102-K-SL1H-CP
C625	08E27841S01	CAP,TF,MMTS 123-J-RD
C626	08E25317S01	CAP,TF,MMTS 474-J-RD
C627	08E22969S01	CAP,TF,MMTS 103-J-RD
C628	08E31820S01	CAP,CER 104-K-B1E-CP
C629	08E31820S01	CAP,CER 104-K-B1E-CP
C630	08E31820S01	CAP,CER 104-K-B1E-CP
C631	08E31820S01	CAP,CER 104-K-B1E-CP
C632	08E28769S01	CAP,CER 102-K-SL1H-CP
C633	08E28769S01	CAP,CER 102-K-SL1H-CP
C634	08E28769S01	CAP,CER 102-K-SL1H-CP
C635	08E28769S01	CAP,CER 102-K-SL1H-CP
C636	08E26532S01	CAP,CER.21-X7R-104-K-CP
C637	08E28769S01	CAP,CER 102-K-SL1H-CP
C638	08E26532S01	CAP,CER.21-X7R-104-K-CP
C639	08E28769S01	CAP,CER 102-K-SL1H-CP

C642	08E26532S01	CAP,CER.21-X7R-104-K-CP
C643	08E28769S01	CAP,CER 102-K-SL1H-CP
C644	08E26532S01	CAP,CER.21-X7R-104-K-CP
C645	08E28769S01	CAP,CER 102-K-SL1H-CP
C648	08E26532S01	CAP,CER.21-X7R-104-K-CP
C649	08E28769S01	CAP,CER 102-K-SL1H-CP
C650	08E26532S01	CAP,CER.21-X7R-104-K-CP
C651	08E28769S01	CAP,CER 102-K-SL1H-CP
C654	08E26532S01	CAP,CER.21-X7R-104-K-CP
C655	08E28769S01	CAP,CER 102-K-SL1H-CP
C656	08E26532S01	CAP,CER.21-X7R-104-K-CP
C657	08E28769S01	CAP,CER 102-K-SL1H-CP
C660	08S55504Y01	CAP,CER 334 MX7R2A-CP
C661	08S55504Y01	CAP,CER 334 MX7R2A-CP
C663	08S55504Y01	CAP,CER 334 MX7R2A-CP
C664	08S55504Y01	CAP,CER 334 MX7R2A-CP
C666	08E26532S01	CAP,CER.21-X7R-104-K-CP
C667	08E28769S01	CAP,CER 102-K-SL1H-CP
C668	08E26532S01	CAP,CER.21-X7R-104-K-CP
C669	08E28769S01	CAP,CER 102-K-SL1H-CP
C670	08E26532S01	CAP,CER.21-X7R-104-K-CP
C671	08E28769S01	CAP,CER 102-K-SL1H-CP
C672	08E26532S01	CAP,CER.21-X7R-104-K-CP
C673	08E28769S01	CAP,CER 102-K-SL1H-CP
C674	08S45539Y05	CAP,CER 152KX7R2J-CP
C675	08S45539Y05	CAP,CER 152KX7R2J-CP
C676	08T55494Y01	CAP,MPCFA 105J-2E +
C677	08T55494Y01	CAP,MPCFA 105J-2E +
C678	08E25317S01	CAP,TF,MMTS 474-J-RD
C679	08E25317S01	CAP,TF,MMTS 474-J-RD
C680	08S45539Y04	CAP, CER 103KX7R2J-CP
C681	08S45539Y04	CAP, CER 103KX7R2J-CP
C682	08T95420W07	CAP, CER102K R2J-CP
C683	08T95420W07	CAP, CER102K R2J-CP
C701	08E31820S01	CAP,CER 104-K-B1E-CP
C702	08E31820S01	CAP,CER 104-K-B1E-CP
C703	08E26532S01	CAP,CER.21-X7R-104-K-CP
C704	08E26532S01	CAP,CER.21-X7R-104-K-CP
C705	08E26532S01	CAP,CER.21-X7R-104-K-CP
C706	08E26532S01	CAP,CER.21-X7R-104-K-CP
C707	08E31820S01	CAP,CER 104-K-B1E-CP
C708	08E31820S01	CAP,CER 104-K-B1E-CP
C709	08E31820S01	CAP,CER 104-K-B1E-CP
C710	08E31820S01	CAP,CER 104-K-B1E-CP
C711	08E31820S01	CAP,CER 104-K-B1E-CP
C712	08E31820S01	CAP,CER 104-K-B1E-CP
C713	08E28769S01	CAP,CER 102-K-SL1H-CP
C714	08E28769S01	CAP,CER 102-K-SL1H-CP
C715	08E28769S01	CAP,CER 102-K-SL1H-CP
C716	08E31816S01	CAP,CER 472-K-B1H-CP
C717	08E31816S01	CAP,CER 472-K-B1H-CP
C718	08E28769S01	CAP,CER 102-K-SL1H-CP

C719	08E29173S01	CAP,CER 16-473-Z-F1E-CP
C720	08E28769S01	CAP,CER 102-K-SL1H-CP
E280	23E35148S01	CAP,ELEC LXV 1800/50
E281	23E35148S01	CAP,ELEC LXV 1800/50
E282	23E35148S01	CAP,ELEC LXV 1800/50
E283	23E35148S01	CAP,ELEC LXV 1800/50
E284	23E35148S01	CAP,ELEC LXV 1800/50
E285	23E35148S01	CAP,ELEC LXV 1800/50
E286	23E35148S01	CAP,ELEC LXV 1800/50
E287	23E35148S01	CAP,ELEC LXV 1800/50
E288	23E33350S01	CAP,ELEC,SHL 10/50-M-RD
E289	23E33350S01	CAP,ELEC,SHL 10/50-M-RD
E301	23E33401S01	CAP,ELEC,SHL 100/10-M-RD
E302	23E33399S01	CAP,ELEC,SHL 22/16-M-RD
E303	23E28524S01	CAP,ELEC,4.7/35-M-RD
E304	23E33399S01	CAP,ELEC,SHL 22/16-M-RD
E306	23E35184S01	CAP,ELEC,470/25-M-RD
E307	23E35185S01	CAP,ELEC,SHL 470/10-M-RD
E308	23E33839S01	CAP,ELEC,4.7/50-M-RD
E309	23E35181S01	CAP,ELEC,4.7/25-M-RD
E310	23E33351S01	CAP,ELEC,SHL 22/50-M-RD
E311	23E33351S01	CAP,ELEC,SHL 22/50-M-RD
E312	23E33839S01	CAP,ELEC,4.7/50-M-RD
E315	23E33351S01	CAP,ELEC,SHL 22/50-M-RD
E316	23E35185S01	CAP,ELEC,SHL 470/10-M-RD
E401	23E35182S01	CAP,ELEC 4.7/16-M-BP-RD
E402	23E35182S01	CAP,ELEC 4.7/16-M-BP-RD
E403	23E35182S01	CAP,ELEC 4.7/16-M-BP-RD
E404	23E35182S01	CAP,ELEC 4.7/16-M-BP-RD
E405	23E34156S01	CAP,ELEC,SHL 220/25-M-RD
E406	23E34156S01	CAP,ELEC,SHL 220/25-M-RD
E407	23E35183S01	CAP,ELEC 10/16-M-BP-RD
E408	23E35183S01	CAP,ELEC 10/16-M-BP-RD
E409	23E35183S01	CAP,ELEC 10/16-M-BP-RD
E410	23E35183S01	CAP,ELEC 10/16-M-BP-RD
E411	23E33397S01	CAP,ELEC,SHL 100/25-M-RD
E412	23E33397S01	CAP,ELEC,SHL 100/25-M-RD
E413	23E33350S01	CAP,ELEC,SHL 10/50-M-RD
E414	23E33350S01	CAP,ELEC,SHL 10/50-M-RD
E415	23E33350S01	CAP,ELEC,SHL 10/50-M-RD
E416	23E33350S01	CAP,ELEC,SHL 10/50-M-RD
E417	23E33401S01	CAP,ELEC,SHL 100/10-M-RD
E418	23E35182S01	CAP,ELEC 4.7/16-M-BP-RD
E419	23E28524S01	CAP,ELEC,4.7/35-M-RD
E420	23E28524S01	CAP,ELEC,4.7/35-M-RD
E421	23E28524S01	CAP,ELEC,4.7/35-M-RD
E422	23E33664S01	CAP,ELEC,SHL 0.47/50-M-RD
E423	23E33664S01	CAP,ELEC,SHL 0.47/50-M-RD
E424	23E33350S01	CAP,ELEC,SHL 10/50-M-RD
E425	23E33350S01	CAP,ELEC,SHL 10/50-M-RD
E426	23E33399S01	CAP,ELEC,SHL 22/16-M-RD
E427	23E33348S01	CAP,ELEC,SHL 47/25-M-RD

E428	23E33398S01	CAP,ELEC,SHL 2.2/50-M-RD
E429	23E33398S01	CAP,ELEC,SHL 2.2/50-M-RD
E430	23E33397S01	CAP,ELEC,SHL 100/25-M-RD
E431	23E33397S01	CAP,ELEC,SHL 100/25-M-RD
E501	23E33348S01	CAP,ELEC,SHL 47/25-M-RD
E502	23E33350S01	CAP,ELEC,SHL 10/50-M-RD
E503	23E33348S01	CAP,ELEC,SHL 47/25-M-RD
E504	23E33348S01	CAP,ELEC,SHL 47/25-M-RD
E505	23E33348S01	CAP,ELEC,SHL 47/25-M-RD
E506	23E33401S01	CAP,ELEC,SHL 100/10-M-RD
E507	23E33348S01	CAP,ELEC,SHL 47/25-M-RD
E508	23E33348S01	CAP,ELEC,SHL 47/25-M-RD
E509	23E35184S01	CAP,ELEC,470/25-M-RD
E510	23E33287S01	CAP,ELEC,47/25-M-RD
E511	23E33287S01	CAP,ELEC,47/25-M-RD
E601	23T25139Y13	CAP,PW 10R-2A
E602	23E33840S01	CAP,ELEC,22/50-M-RD
E603	23E33840S01	CAP,ELEC,22/50-M-RD
E604	23E24368S01	CAP,ELEC,10/50-M-RD
E605	23E24368S01	CAP,ELEC,10/50-M-RD
E606	23E34560S01	CAP,ELEC,1/50-M-RD
E607	23E34560S01	CAP,ELEC,1/50-M-RD
E608	23E34560S01	CAP,ELEC,1/50-M-RD
E609	23E33399S01	CAP,ELEC,SHL 22/16-M-RD
E610	23T25139Y13	CAP,PW 10R-2A
E611	23T25139Y13	CAP,PW 10R-2A
E613	23T25139Y13	CAP,PW 10R-2A
E614	23T25139Y13	CAP,PW 10R-2A
E701	23E33287S01	CAP,ELEC,47/25-M-RD
E702	23E33348S01	CAP,ELEC,SHL 47/25-M-RD
E703	23E33351S01	CAP,ELEC,SHL 22/50-M-RD
E704	23E33351S01	CAP,ELEC,SHL 22/50-M-RD
R709	08E28771S01	CAP,CER 103-K-B1H-CP
=====Resistors		
R301	06E20752S01	RES,CF, 221-J-1/4-CP
R302	06E28534S01	RES,CF,103-J-1/16-CP
R303	06E28534S01	RES,CF,103-J-1/16-CP
R304	06E31160S01	RES,CF,473-J-1/16-CP
R305	06E22074S01	RES,CF, 102-J-1/4-CP
R306	06E31687S01	RES,CF,103-F-1/16-CP
R307	06E22074S01	RES,CF, 102-J-1/4-CP
R308	06E28537S01	RES,CF,104-J-1/16-CP
R309	06E31153S01	RES,CF,222-J-1/16-CP
R310	06E28537S01	RES,CF,104-J-1/16-CP
R311	06E28537S01	RES,CF,104-J-1/16-CP
R312	06E28533S01	RES,CF,102-J-1/16-CP
R313	06E28534S01	RES,CF,103-J-1/16-CP
R314	06E28534S01	RES,CF,103-J-1/16-CP
R315	06E28534S01	RES,CF,103-J-1/16-CP
R316	06E28537S01	RES,CF,104-J-1/16-CP
R317	06E28548S01	RES,CF,471-J-1/16-CP
R318	06E28788S01	RES,CF,122-J-1/16-CP

R319	06E28533S01	RES,CF,102-J-1/16-CP
R320	06E28534S01	RES,CF,103-J-1/16-CP
R321	06E28534S01	RES,CF,103-J-1/16-CP
R322	06E28534S01	RES,CF,103-J-1/16-CP
R323	06E28534S01	RES,CF,103-J-1/16-CP
R324	06E20547S01	RES,CF, 561-J-1/4-CP
R325	06E20547S01	RES,CF, 561-J-1/4-CP
R326	06E22548S01	RES,CF, 471-J-1/4-CP
R327	06E28537S01	RES,CF,104-J-1/16-CP
R328	06E22548S01	RES,CF, 471-J-1/4-CP
R329	06E28537S01	RES,CF,104-J-1/16-CP
R330	06E28549S01	RES,CF,472-J-1/16-CP
R331	06E35131S01	RES,CF,393-F-1/16-CP
R332	06E33278S01	RES,CF,563-F-1/16-CP
R333	06E28549S01	RES,CF,472-J-1/16-CP
R334	06E28534S01	RES,CF,103-J-1/16-CP
R335	06E31687S01	RES,CF,103-F-1/16-CP
R336	06E34813S01	RES,CF,303-F-1/16-CP
R337	06E30131S01	RES,CHIP 1/10W-F-10K
R338	06E23888S01	RES,CHIP 1/10W-F-22K
R339	06E35177S01	RES,CHIP 1/10W-F-9.1K
R340	06E30131S01	RES,CHIP 1/10W-F-10K
R341	06E23888S01	RES,CHIP 1/10W-F-22K
R342	06E35177S01	RES,CHIP 1/10W-F-9.1K
R343	06E31682S01	RES,CF,393-J-1/16-CP
R344	06E28624S01	RES,CF,0R0-J-1/16-CP
R345	06E28624S01	RES,CF,0R0-J-1/16-CP
R346	06E28549S01	RES,CF,472-J-1/16-CP
R347	06E35131S01	RES,CF,393-F-1/16-CP
R348	06E35130S01	RES,CF,183-F-1/16-CP
R349	06E33235S01	RES,CF,102-F-1/16-CP
R350	06E33235S01	RES,CF,102-F-1/16-CP
R351	06E35130S01	RES,CF,183-F-1/16-CP
R352	06E35131S01	RES,CF,393-F-1/16-CP
R355	06E22115S01	RES,CF, 101-J-1/4-CP
R356	06E22115S01	RES,CF, 101-J-1/4-CP
R357	06E22115S01	RES,CF, 101-J-1/4-CP
R358	06E22115S01	RES,CF, 101-J-1/4-CP
R359	06E28534S01	RES,CF,103-J-1/16-CP
R360	06E35190S01	RES,CF,471-F-1/16-CP
R361	06E35177S01	RES,CHIP 1/10W-F-9.1K
R362	06E35177S01	RES,CHIP 1/10W-F-9.1K
R363	06E23888S01	RES,CHIP 1/10W-F-22K
R364	06E30131S01	RES,CHIP 1/10W-F-10K
R365	06E23888S01	RES,CHIP 1/10W-F-22K
R366	06E30131S01	RES,CHIP 1/10W-F-10K
R367	06E28534S01	RES,CF,103-J-1/16-CP
R368	06E28534S01	RES,CF,103-J-1/16-CP
R369	06E35176S01	RES,CHIP, 1/10W-F-470
R370	06E35176S01	RES,CHIP, 1/10W-F-470
R371	06E35176S01	RES,CHIP, 1/10W-F-470
R372	06E35176S01	RES,CHIP, 1/10W-F-470

R382	06E31148S01	RES,CF,101-J-1/16-CP
R383	06E35189S01	RES,CF,151-F-1/16-CP
R384	06E31160S01	RES,CF,473-J-1/16-CP
R401	06E33235S01	RES,CF,102-F-1/16-CP
R402	06E32291S01	RES,CF,104-F-1/16-CP
R403	06E32291S01	RES,CF,104-F-1/16-CP
R404	06E33235S01	RES,CF,102-F-1/16-CP
R405	06E28533S01	RES,CF,102-J-1/16-CP
R406	06E28533S01	RES,CF,102-J-1/16-CP
R407	06E33235S01	RES,CF,102-F-1/16-CP
R408	06E33235S01	RES,CF,102-F-1/16-CP
R409	06E32291S01	RES,CF,104-F-1/16-CP
R410	06E32291S01	RES,CF,104-F-1/16-CP
R411	06E28533S01	RES,CF,102-J-1/16-CP
R412	06E28533S01	RES,CF,102-J-1/16-CP
R413	06E35188S01	RES,CF,101-J-1/16-CP
R414	06E28549S01	RES,CF,472-J-1/16-CP
R415	06E28549S01	RES,CF,472-J-1/16-CP
R416	06E35188S01	RES,CF,101-J-1/16-CP
R417	06E35188S01	RES,CF,101-J-1/16-CP
R418	06E28549S01	RES,CF,472-J-1/16-CP
R419	06E28549S01	RES,CF,472-J-1/16-CP
R420	06E35188S01	RES,CF,101-J-1/16-CP
R421	06E23859S01	RES,CF,391-J-1/4-CP
R422	06E31160S01	RES,CF,473-J-1/16-CP
R423	06E23859S01	RES,CF,391-J-1/4-CP
R424	06E31160S01	RES,CF,473-J-1/16-CP
R425	06E23859S01	RES,CF,391-J-1/4-CP
R426	06E31160S01	RES,CF,473-J-1/16-CP
R427	06E23859S01	RES,CF,391-J-1/4-CP
R428	06E31160S01	RES,CF,473-J-1/16-CP
R429	06E28533S01	RES,CF,102-J-1/16-CP
R430	06E28533S01	RES,CF,102-J-1/16-CP
R431	06E31160S01	RES,CF,473-J-1/16-CP
R432	06E31160S01	RES,CF,473-J-1/16-CP
R433	06E28533S01	RES,CF,102-J-1/16-CP
R434	06E28533S01	RES,CF,102-J-1/16-CP
R435	06E31160S01	RES,CF,473-J-1/16-CP
R436	06E31160S01	RES,CF,473-J-1/16-CP
R437	06E35191S01	RES,CF,473-F-1/16-CP
R438	06E35191S01	RES,CF,473-F-1/16-CP
R439	06E35191S01	RES,CF,473-F-1/16-CP
R440	06E35191S01	RES,CF,473-F-1/16-CP
R441	06E32289S01	RES,CF,123-F-1/16-CP
R442	06E32289S01	RES,CF,123-F-1/16-CP
R443	06E32289S01	RES,CF,123-F-1/16-CP
R444	06E32289S01	RES,CF,123-F-1/16-CP
R445	06E28533S01	RES,CF,102-J-1/16-CP
R446	06E28533S01	RES,CF,102-J-1/16-CP
R447	06E28533S01	RES,CF,102-J-1/16-CP
R448	06E28533S01	RES,CF,102-J-1/16-CP
R449	06E31174S01	RES,CF,332-J-1/16-CP

R450	06E28533S01	RES,CF,102-J-1/16-CP
R451	06E31174S01	RES,CF,332-J-1/16-CP
R452	06E31158S01	RES,CF,243-J-1/16-CP
R453	06E31158S01	RES,CF,243-J-1/16-CP
R454	06E28534S01	RES,CF,103-J-1/16-CP
R455	06E28534S01	RES,CF,103-J-1/16-CP
R456	06E28534S01	RES,CF,103-J-1/16-CP
R457	06E24363S01	RES,CF,472-J-1/4-CP
R459	06E24363S01	RES,CF,472-J-1/4-CP
R461	06E34581S01	RES,CF,331-F-1/16-CP
R462	06E34581S01	RES,CF,331-F-1/16-CP
R463	06E34581S01	RES,CF,331-F-1/16-CP
R464	06E34581S01	RES,CF,331-F-1/16-CP
R501	06E28533S01	RES,CF,102-J-1/16-CP
R502	06E31685S01	RES,CF,105-J-1/16-CP
R503	06E28533S01	RES,CF,102-J-1/16-CP
R504	06E28533S01	RES,CF,102-J-1/16-CP
R505	06E31160S01	RES,CF,473-J-1/16-CP
R601	06E28624S01	RES,CF,0R0-J-1/16-CP
R602	06E31148S01	RES,CF,101-J-1/16-CP
R603	06E31148S01	RES,CF,101-J-1/16-CP
R604	06E28624S01	RES,CF,0R0-J-1/16-CP
R605	06E28624S01	RES,CF,0R0-J-1/16-CP
R606	06E35188S01	RES,CF,101-J-1/16-CP
R607	06E35187S01	RES,CF,682-F-1/4-CP
R608	06E33235S01	RES,CF,102-F-1/16-CP
R610	06E33254S01	RES,CF,332-F-1/16-CP
R612	06E28534S01	RES,CF,103-J-1/16-CP
R613	06E28624S01	RES,CF,0R0-J-1/16-CP
R614	06E22115S01	RES,CF,101-J-1/4-CP
R615	06E28624S01	RES,CF,0R0-J-1/16-CP
R616	06E28624S01	RES,CF,0R0-J-1/16-CP
R617	06E33235S01	RES,CF,102-F-1/16-CP
R618	06E35187S01	RES,CF,682-F-1/4-CP
R619	06E35188S01	RES,CF,101-J-1/16-CP
R620	06E28624S01	RES,CF,0R0-J-1/16-CP
R621	06E31174S01	RES,CF,332-J-1/16-CP
R622	06E32201S01	RES,CF,391-J-1/16-CP
R623	06E35188S01	RES,CF,101-J-1/16-CP
R624	06E35186S01	RES,CF,20R-F-1/4-CP
R625	06E35186S01	RES,CF,20R-F-1/4-CP
R626	06E35186S01	RES,CF,20R-F-1/4-CP
R627	06E35186S01	RES,CF,20R-F-1/4-CP
R628	06E23860S01	RES,CF,392-J-1/4-CP
R629	06E23860S01	RES,CF,392-J-1/4-CP
R630	06E23860S01	RES,CF,392-J-1/4-CP
R631	06E23860S01	RES,CF,392-J-1/4-CP
R632	06E33314S01	RES,RW,0.01R-J-5W
R633	06E33314S01	RES,RW,0.01R-J-5W
R634	06E33314S01	RES,RW,0.01R-J-5W
R635	06E33314S01	RES,RW,0.01R-J-5W
R636	06E33386S01	RES,MO,3W-J-27

R637	06E33386S01	RES,MO 3W-J-27
R638	06E33385S01	RES,MO 3W-J-10
R639	06E33385S01	RES,MO 3W-J-10
R640	06E30008S01	RES,CF, 562-J-1/4-CP
R641	06E30008S01	RES,CF, 562-J-1/4-CP
R682	06E35186S01	RES,CF 20R-F-1/4-CP
R683	06E35186S01	RES,CF 20R-F-1/4-CP
R684	06E35186S01	RES,CF 20R-F-1/4-CP
R685	06E35186S01	RES,CF 20R-F-1/4-CP
R705	06E31825S01	RES,CF, 0R0-J-1/4-CP
R706	06E31825S01	RES,CF, 0R0-J-1/4-CP
R707	06E35188S01	RES,CF,101-J-1/16-CP
R710	06E23888S01	RES,CHIP 1/10W-F-22K
R711	06E23888S01	RES,CHIP 1/10W-F-22K
R712	06E23888S01	RES,CHIP 1/10W-F-22K
R713	06E23888S01	RES,CHIP 1/10W-F-22K
R714	06E31161S01	RES,CF,563-J-1/16-CP
R715	06E31161S01	RES,CF,563-J-1/16-CP
=====Connectors		
CB301	09E33334S01	FPC CONNECTOR SMT 52610-1690
CH151	09E22533S01	CONN BASE, GIL-S-09P-S2T2
CH261	09E35175S01	CONN BASE 35313-0210
CH262	09E31910S01	CONN BASE35313-0410
CH263	09E35175S01	CONN BASE 35313-0210
CH264	09E34589S01	CONN BASE, GIL-S-07P-S2T2
CH265	09E35175S01	CONN BASE 35313-0210
CH266	09E35175S01	CONN BASE 35313-0210
CH301	09E11157S01	CONN BASE, GIL-S-06P-S2T2
*****MAIN P.W.Board		
=====IC's		
IC201	51E28509S01	NJM78L09A-NB
IC202	51E27890S01	IC,uPC 494GS
IC203	51E34504S01	IC MC33152D-CP
IC204	51E34504S01	IC MC33152D-CP
IC211	51E35166S01	IC NJM2100V-TE2
IC212	51E35166S01	IC NJM2100V-TE2
IC213	51E35166S01	IC NJM2100V-TE2
=====Transistors/FET's		
Q101	48E23541S01	TR,2SB 1238-TL4-RD
Q102	48E22902S01	TR,2SC2412K-T146-CP
Q103	48E09399S01	TR,2SB 1243-TV4-RD
Q104	48E22902S01	TR,2SC2412K-T146-CP
Q201	48E22092S01	TR,DTA 124EK-T146-CP
Q202	48E23541S01	TR,2SB 1238-TL4-RD
Q203	48E22555S01	TR,DTC 144EK-T146-CP
Q204	48E33387S01	FET, IRF3205
Q205	48E33387S01	FET, IRF3205
Q206	48E33387S01	FET, IRF3205
Q207	48E33387S01	FET, IRF3205
Q210	48E33387S01	FET, IRF3205
Q211	48E33387S01	FET, IRF3205

Q212	48E33387S01	FET, IRF3205
Q213	48E33387S01	FET, IRF3205
Q221	48E22555S01	TR,DTC 144EK-T146-CP
Q222	48E22555S01	TR,DTC 144EK-T146-CP
Q223	48E22902S01	TR,2SC2412K-T146-CP
Q224	48E22902S01	TR,2SC2412K-T146-CP
=====Diodes		
D101	48T84052F11	DIO SI 11ES2-TB5-R5
D102	48T68828F11	DIO,1SS133-RH
D201	48E35149S01	DIO,40EPF02
D202	48E35149S01	DIO,40EPF02
D203	48E35149S01	DIO,40EPF02
D204	48E35149S01	DIO,40EPF02
D211	48E10945S01	DIO,DAN 202K-T-146-CP
D212	48T68828F11	DIO,1SS133-RH
D213	48E23841S01	DIO,DAP,202K-T-146-CP
D214	48E23841S01	DIO,DAP,202K-T-146-CP
ZD101	48T25766W01	DIO,ZEN,HZS 6A1L-R5
ZD201	48T25766W24	DIO,ZEN HZS 9C1L-R5
ZD202	48T25766W24	DIO,ZEN HZS 9C1L-R5
=====Coils		
L101	24T93615F03	IND,NL10RJ-CP
T204	24E35152S01	COIL,GLA-999-X
T205	24E35152S01	COIL,GLA-999-X
Z102	91T65112W06	COIL,BK2125H102-T
Z103	91T65112W06	COIL,BK2125H102-T
Z104	91T65112W06	COIL,BK2125H102-T
Z105	91T65112W06	COIL,BK2125H102-T
Z106	91T65112W06	COIL,BK2125H102-T
=====Transformers		
T201	25E35150S01	TRANS,EI(3T/7T)
T203	25E35150S01	TRANS,EI(3T/7T)
T101	25E35151S01	CHOKE TRANS EER28L50V60A
T102	25E35151S01	CHOKE TRANS EER28L50V60A
=====Filters		
Z101	91T15058Y07	EMI,NFE31PT222Z1E-CP
Z109	91T65112W04	EMI,BK2125 HS601-CP
Z110	91T65112W04	EMI,BK2125 HS601-CP
=====Thermistors		
TH201	48T25250Y06	TMT,ERTJ1VR223G-CP
TH202	48T25250Y06	TMT,ERTJ1VR223G-CP
=====Capacitors		
C101	08T95420W01	CAP CER, 101K-R2J
C102	08S45539Y04	CAP, CER 103KX7R2J-CP
C103	08T95420W01	CAP CER, 101K-R2J
C104	08S45539Y04	CAP, CER 103KX7R2J-CP
C105	08T95420W01	CAP CER, 101K-R2J
C106	08S45539Y04	CAP, CER 103KX7R2J-CP
C107	08T95420W01	CAP CER, 101K-R2J
C108	08E28771S01	CAP,CER 103-K-B1H-CP
C109	08E31169S01	CAP,CER 121-J-SL1H-CP
C110	08E31169S01	CAP,CER 121-J-SL1H-CP

C201	08E31820S01	CAP,CER 104-K-B1E-CP
C202	08E22932S01	CAP,CER.31-Y5V-104-Z-CP
C203	08E29517S01	CAP,TF,AMCS 682-J-RD
C204	08E31820S01	CAP,CER 104-K-B1E-CP
C205	08E31820S01	CAP,CER 104-K-B1E-CP
C206	08E31820S01	CAP,CER 104-K-B1E-CP
C207	08E31816S01	CAP,CER 472-K-B1H-CP
C208	08S45539Y02	CAP,CER,222KX7R2J-CP
C209	08S45539Y02	CAP,CER,222KX7R2J-CP
C211	08E31816S01	CAP,CER 472-K-B1H-CP
C212	08S45539Y02	CAP,CER,222KX7R2J-CP
C213	08S45539Y02	CAP,CER,222KX7R2J-CP
C215	08E26532S01	CAP,CER.21-X7R-104-K-CP
C216	08E28769S01	CAP,CER 102-K-SL1H-CP
C217	08E26532S01	CAP,CER.21-X7R-104-K-CP
C218	08E28769S01	CAP,CER 102-K-SL1H-CP
C219	08E28769S01	CAP,CER 102-K-SL1H-CP
C220	08E28769S01	CAP,CER 102-K-SL1H-CP
C221	08E28771S01	CAP,CER 103-K-B1H-CP
C222	08E28771S01	CAP,CER 103-K-B1H-CP
C233	08E33848S01	CAP,CER 561-J-SL1H-CP
C234	08E33848S01	CAP,CER 561-J-SL1H-CP
C236	08E33848S01	CAP,CER 561-J-SL1H-CP
C237	08E33848S01	CAP,CER 561-J-SL1H-CP
C238	08S45539Y02	CAP,CER,222KX7R2J-CP
C239	08S45539Y02	CAP,CER,222KX7R2J-CP
C240	08S45539Y02	CAP,CER,222KX7R2J-CP
C241	08S45539Y02	CAP,CER,222KX7R2J-CP
E101	23E35167S01	CAP,ELEC,SHL 470-25-M-RD
E103	23E35167S01	CAP,ELEC,SHL 470-25-M-RD
E201	23E33399S01	CAP,ELEC,SHL 22/16-M-RD
E202	23E35168S01	CAP,ELEC,SHL 330/10-M-RD
E203	23E33399S01	CAP,ELEC,SHL 22/16-M-RD
E204	23E33399S01	CAP,ELEC,SHL 22/16-M-RD
E205	23E33349S01	CAP,ELEC,SHL 4.7/50-M-RD
E206	23E33349S01	CAP,ELEC,SHL 4.7/50-M-RD
E207	23T25139Y12	CAP,PW 272-1V +
E208	23T25139Y12	CAP,PW 272-1V +
E210	23T25139Y12	CAP,PW 272-1V +
E211	23T25139Y12	CAP,PW 272-1V +
E213	23E35148S01	CAP,ELEC LXV 1800/50
E214	23E35148S01	CAP,ELEC LXV 1800/50
E215	23E35148S01	CAP,ELEC LXV 1800/50
E216	23E35148S01	CAP,ELEC LXV 1800/50
E217	23E35148S01	CAP,ELEC LXV 1800/50
E218	23E35148S01	CAP,ELEC LXV 1800/50
E219	23E35148S01	CAP,ELEC LXV 1800/50
E220	23E35148S01	CAP,ELEC LXV 1800/50
E231	23E33398S01	CAP,ELEC,SHL 2.2/50-M-RD
E232	23E33398S01	CAP,ELEC,SHL 2.2/50-M-RD
E233	23T25139Y12	CAP,PW 272-1V +
E234	23T25139Y12	CAP,PW 272-1V +

E235	23E33398S01	CAP,ELEC,SHL 2.2/50-M-RD
E236	23E33351S01	CAP,ELEC,SHL 22/50-M-RD
E237	23E33351S01	CAP,ELEC,SHL 22/50-M-RD
E238	23E33351S01	CAP,ELEC,SHL 22/50-M-RD
E239	23E33351S01	CAP,ELEC,SHL 22/50-M-RD
=====Resistors		
R101	06E33335S01	RES,CF, 303-J-1/4-CP
R102	06E31159S01	RES,CF,303-J-1/16-CP
R103	06E31160S01	RES,CF,473-J-1/16-CP
R104	06E26239S01	RES,CF, 103-J-1/4-CP
R105	06E31160S01	RES,CF,473-J-1/16-CP
R106	06E22076S01	RES,CF, 222-J-1/4-CP
R107	06E22076S01	RES,CF, 222-J-1/4-CP
R108	06E22076S01	RES,CF, 222-J-1/4-CP
R109	06E22076S01	RES,CF, 222-J-1/4-CP
R110	06E28534S01	RES,CF,103-J-1/16-CP
R111	06E28534S01	RES,CF,103-J-1/16-CP
R112	06E31825S01	RES,CF, 0R0-J-1/4-CP
R113	06E31825S01	RES,CF, 0R0-J-1/4-CP
R201	06E28549S01	RES,CF,472-J-1/16-CP
R202	06E33392S01	RES,CF,821-J-1/16-CP
R203	06E31153S01	RES,CF,222-J-1/16-CP
R204	06E35163S01	RES,CF,132-F-1/16-CP
R205	06E33278S01	RES,CF,563-F-1/16-CP
R206	06E35164S01	RES,CF,202-F-1/16-CP
R207	06E35161S01	RES,CF 223-F-1/4-CP
R208	06E31158S01	RES,CF,243-J-1/16-CP
R209	06E31806S01	RES,CF,244-J-1/16-CP
R210	06E35162S01	RES,CF,181-F-1/16-CP
R211	06E32034S01	RES,CF,202-J-1/16-CP
R212	06E31160S01	RES,CF,473-J-1/16-CP
R213	06E28534S01	RES,CF,103-J-1/16-CP
R214	06E22074S01	RES,CF, 102-J-1/4-CP
R215	06E22074S01	RES,CF, 102-J-1/4-CP
R216	06E22071S01	RES,CF 10R-J-1/4-CP
R217	06E22071S01	RES,CF 10R-J-1/4-CP
R218	06E22071S01	RES,CF 10R-J-1/4-CP
R219	06E22071S01	RES,CF 10R-J-1/4-CP
R220	06E20545S01	RES,CF, 33R-J-1/4-CP
R221	06E20545S01	RES,CF, 33R-J-1/4-CP
R222	06E20545S01	RES,CF, 33R-J-1/4-CP
R223	06E20545S01	RES,CF, 33R-J-1/4-CP
R225	06E22071S01	RES,CF 10R-J-1/4-CP
R226	06E22071S01	RES,CF 10R-J-1/4-CP
R227	06E22071S01	RES,CF 10R-J-1/4-CP
R228	06E22071S01	RES,CF 10R-J-1/4-CP
R229	06E20545S01	RES,CF, 33R-J-1/4-CP
R230	06E20545S01	RES,CF, 33R-J-1/4-CP
R231	06E20545S01	RES,CF, 33R-J-1/4-CP
R232	06E20545S01	RES,CF, 33R-J-1/4-CP
R241	06E28549S01	RES,CF,472-J-1/16-CP
R242	06E28534S01	RES,CF,103-J-1/16-CP

R243	06E28534S01	RES,CF,103-J-1/16-CP
R244	06E31086S01	RES,CF,473-J-1/4-CP
R255	06E31160S01	RES,CF,473-J-1/16-CP
R256	06E31160S01	RES,CF,473-J-1/16-CP
R257	06E31160S01	RES,CF,473-J-1/16-CP
R258	06E31160S01	RES,CF,473-J-1/16-CP
R259	06E32215S01	RES,CF,472-F-1/16-CP
R260	06E32215S01	RES,CF,472-F-1/16-CP
R261	06E31809S01	RES,CF,822-F-1/16-CP
R262	06E32205S01	RES,CF,152-F-1/16-CP
R263	06E31809S01	RES,CF,822-F-1/16-CP
R264	06E32205S01	RES,CF,152-F-1/16-CP
R266	06E31825S01	RES,CF,0R0-J-1/4-CP
R267	06E28624S01	RES,CF,0R0-J-1/16-CP
R268	06E28624S01	RES,CF,0R0-J-1/16-CP
R269	06E28624S01	RES,CF,0R0-J-1/16-CP
R270	06E35165S01	RES,CF,274-F-1/16-CP
R271	06E28624S01	RES,CF,0R0-J-1/16-CP
R272	06E35170S01	RES,CF,47R-F-1/16-CP
R273	06E35165S01	RES,CF,274-F-1/16-CP
R274	06E35170S01	RES,CF,47R-F-1/16-CP
R275	06E34154S01	RES,CF,271-F-1/16-CP
R276	06E35165S01	RES,CF,274-F-1/16-CP
R277	06E35170S01	RES,CF,47R-F-1/16-CP
R278	06E35165S01	RES,CF,274-F-1/16-CP
R279	06E35170S01	RES,CF,47R-F-1/16-CP
R280	06E31809S01	RES,CF,822-F-1/16-CP
R281	06E32214S01	RES,CF,182-F-1/16-CP
R282	06E32214S01	RES,CF,182-F-1/16-CP
R283	06E31809S01	RES,CF,822-F-1/16-CP
R284	06E23901S01	RES,CF,201R-J-1/4-CP
R285	06E23901S01	RES,CF,201R-J-1/4-CP
R286	06E23901S01	RES,CF,201R-J-1/4-CP
R287	06E23901S01	RES,CF,201R-J-1/4-CP
R288	06E23901S01	RES,CF,201R-J-1/4-CP
R289	06E23901S01	RES,CF,201R-J-1/4-CP
R290	06E23901S01	RES,CF,201R-J-1/4-CP
R291	06E23901S01	RES,CF,201R-J-1/4-CP
R292	06E28535S01	RES,CF,223-J-1/16-CP
R293	06E28535S01	RES,CF,223-J-1/16-CP
R294	06E28535S01	RES,CF,223-J-1/16-CP
R295	06E28535S01	RES,CF,223-J-1/16-CP
R296	06E28535S01	RES,CF,223-J-1/16-CP
R297	06E28535S01	RES,CF,223-J-1/16-CP
R298	06E28624S01	RES,CF,0R0-J-1/16-CP
R299	06E28624S01	RES,CF,0R0-J-1/16-CP
R390	06E28533S01	RES,CF,102-J-1/16-CP
R391	06E28533S01	RES,CF,102-J-1/16-CP
R392	06E28533S01	RES,CF,102-J-1/16-CP
R393	06E28533S01	RES,CF,102-J-1/16-CP
===== CB101	Connectors 09E22533S01	CONN BASE, GIL-S-09P-S2T2

CB103	09E11157S01	CONN BASE, GIL-S-06P-S2T2
CB201	09E31910S01	CONN BASE35313-0410
CB202	09E31910S01	CONN BASE35313-0410
CB203	09E31910S01	CONN BASE35313-0410
CB204	09E34589S01	CONN BASE, GIL-S-07P-S2T2
CH1	01E35155S01	ASS'Y CONN WIRE 4P-4P
CH2	01E35156S01	ASS'Y CONN WIRE 4P-2P-2P(BLK)
CH3	01E35157S01	ASS'Y CONN WIRE 4P-2P-2P(RED)
CH6	01E35160S01	ASS'Y CONN WIRE 9P-9P
CH4	01E35158S01	ASS'Y CONN WIRE 6P-6P
CH5	01E35159S01	ASS'Y CONN WIRE 7P-7P

*****ASS'Y LED MODULE P.W.Board

=====LED's

LED1	48E33381S01	LED,LED,BLUE(HI-LH11B)
LED2	48E33381S01	LED,LED,BLUE(HI-LH11B)
LED3	48E33381S01	LED,LED,BLUE(HI-LH11B)
LED4	48E33381S01	LED,LED,BLUE(HI-LH11B)
LED5	48E33381S01	LED,LED,BLUE(HI-LH11B)
LED6	48E33381S01	LED,LED,BLUE(HI-LH11B)
LED7	48E33381S01	LED,LED,BLUE(HI-LH11B)
LED8	48E33381S01	LED,LED,BLUE(HI-LH11B)
LED11	48E33381S01	LED,LED,BLUE(HI-LH11B)
LED12	48E33381S01	LED,LED,BLUE(HI-LH11B)
LED13	48E33381S01	LED,LED,BLUE(HI-LH11B)
LED14	48E33381S01	LED,LED,BLUE(HI-LH11B)
LED15	48E33381S01	LED,LED,BLUE(HI-LH11B)
LED16	48E33381S01	LED,LED,BLUE(HI-LH11B)
LED17	48E33381S01	LED,LED,BLUE(HI-LH11B)
LED18	48E33381S01	LED,LED,BLUE(HI-LH11B)
LED21	48E33381S01	LED,LED,BLUE(HI-LH11B)
LED22	48E33381S01	LED,LED,BLUE(HI-LH11B)
LED23	48E33381S01	LED,LED,BLUE(HI-LH11B)
LED24	48E33381S01	LED,LED,BLUE(HI-LH11B)
LED25	48E33381S01	LED,LED,BLUE(HI-LH11B)
LED26	48E33381S01	LED,LED,BLUE(HI-LH11B)
LED27	48E33381S01	LED,LED,BLUE(HI-LH11B)
LED28	48E33381S01	LED,LED,BLUE(HI-LH11B)
LED31	48E33382S01	LED-RED(HI-LH10RH)
LED32	48E33381S01	LED,LED,BLUE(HI-LH11B)
LED33	48E33381S01	LED,LED,BLUE(HI-LH11B)
LED34	48E33381S01	LED,LED,BLUE(HI-LH11B)
LED35	48E33381S01	LED,LED,BLUE(HI-LH11B)
LED36	48E33381S01	LED,LED,BLUE(HI-LH11B)
LED37	48E33381S01	LED,LED,BLUE(HI-LH11B)
LED38	48E33381S01	LED,LED,BLUE(HI-LH11B)

*****Miscellaneous

DIN301	09E3321S01	7P DIN SOCKET SCREW TYPE (CONTROLLER)
JK401	09E32052S01	RCA JACK 04P(ISOLATED) (INPUT/PRE OUT)

TML101	07E35153S01	BKT,POWER TERMINAL(3P) (POWER SUPPLY)
TML601	29E29484S01	BLOCK TERMINAL 2P (SPEAKER OUTPUT)